

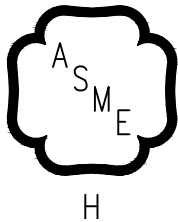
INSTALLATION, OPERATING AND SERVICE INSTRUCTIONS FOR

ALPINE™

CONDENSING HIGH EFFICIENCY
DIRECT VENT

GAS - FIRED HOT WATER BOILER

Size Range - 80 MBH through 285 MBH



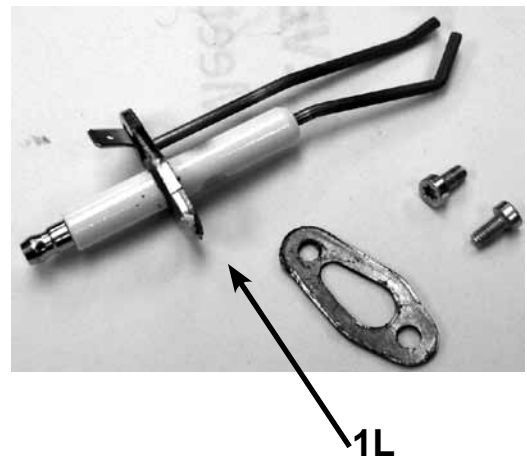
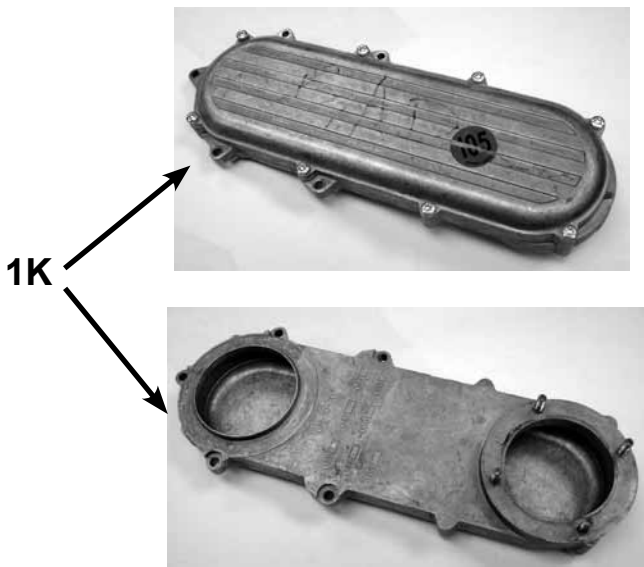
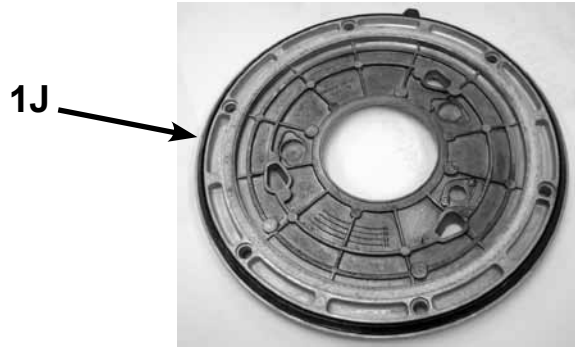
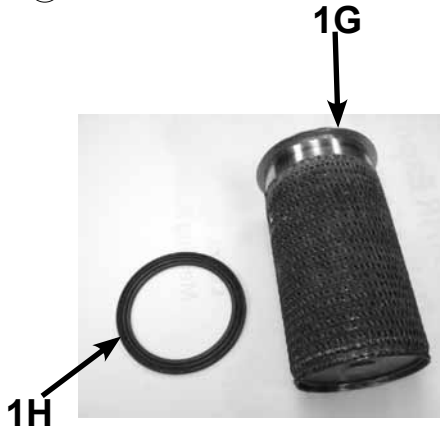
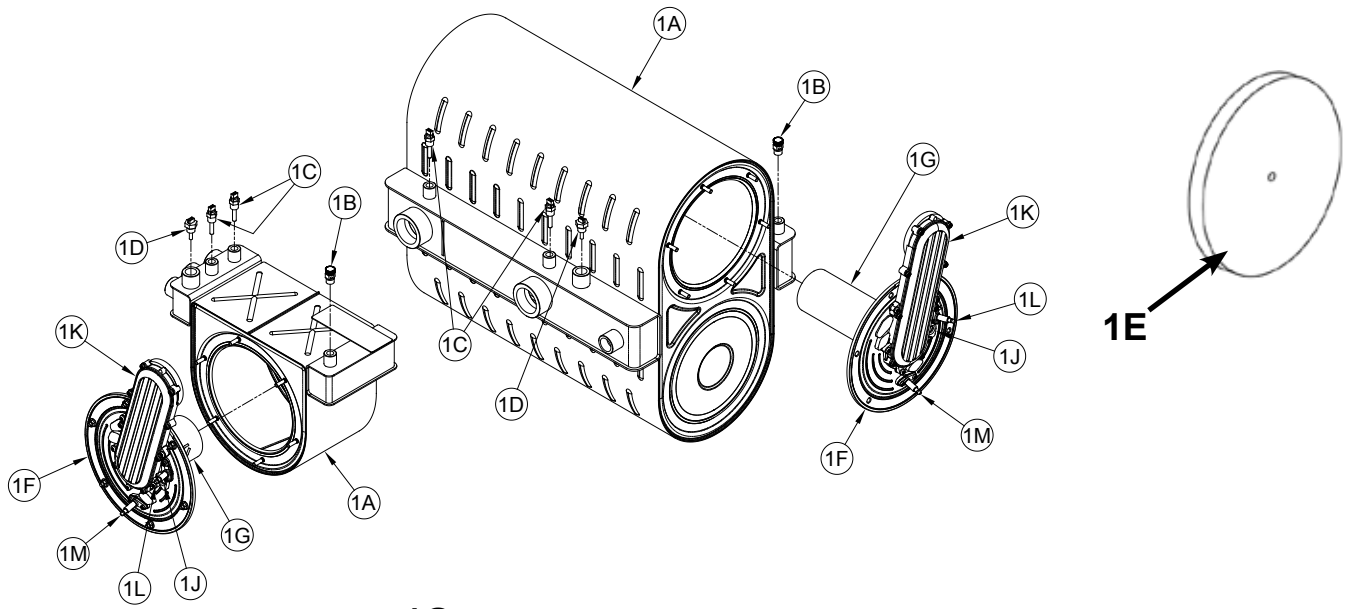
As an ENERGY STAR® Partner, U.S. Boiler Company has determined that the Alpine™ Series meets the ENERGY STAR® guidelines for energy efficiency established by the United States Environmental Protection Agency (EPA).

WARNING: Improper installation, adjustment, alteration, service or maintenance can cause property damage, injury, or loss of life. For assistance or additional information, consult a qualified installer, service agency or the gas supplier. This boiler requires a special venting system. Read these instructions carefully before installing.

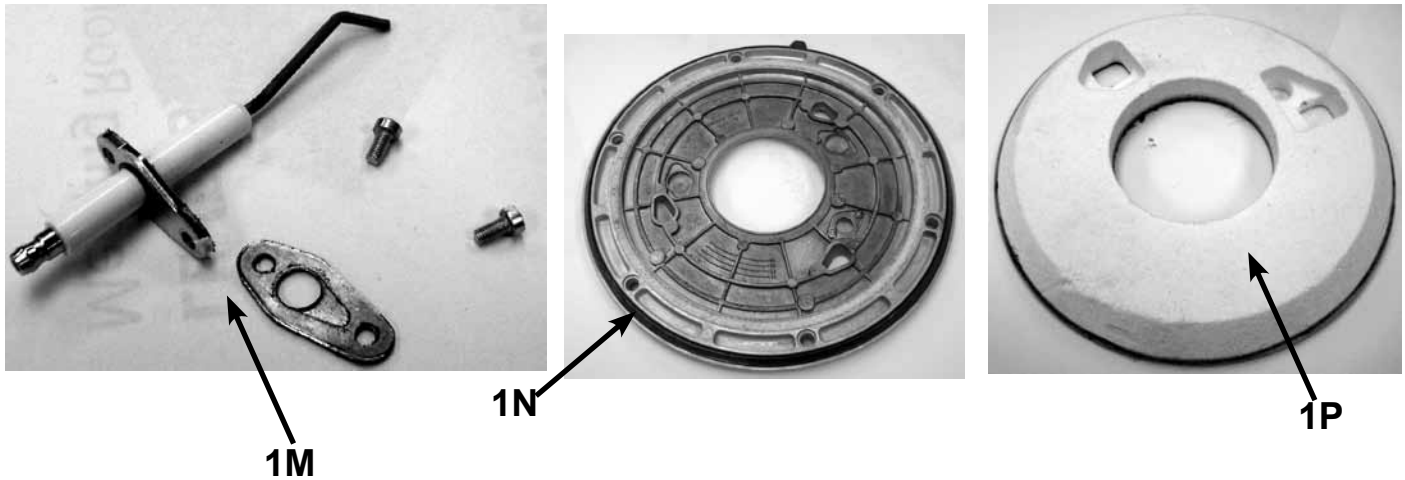
XIII. Repair Parts

All Alpine™ Series Repair Parts may be obtained through your local U.S. Boiler Wholesale distributor. Should you require assistance in locating a U.S. Boiler distributor in your area, or have questions regarding the availability of U.S. Boiler products or repair parts, please contact U.S. Boiler Customer Service at (717) 481-8400 or Fax (717) 481-8408.

XIII. Repair Parts (continued)

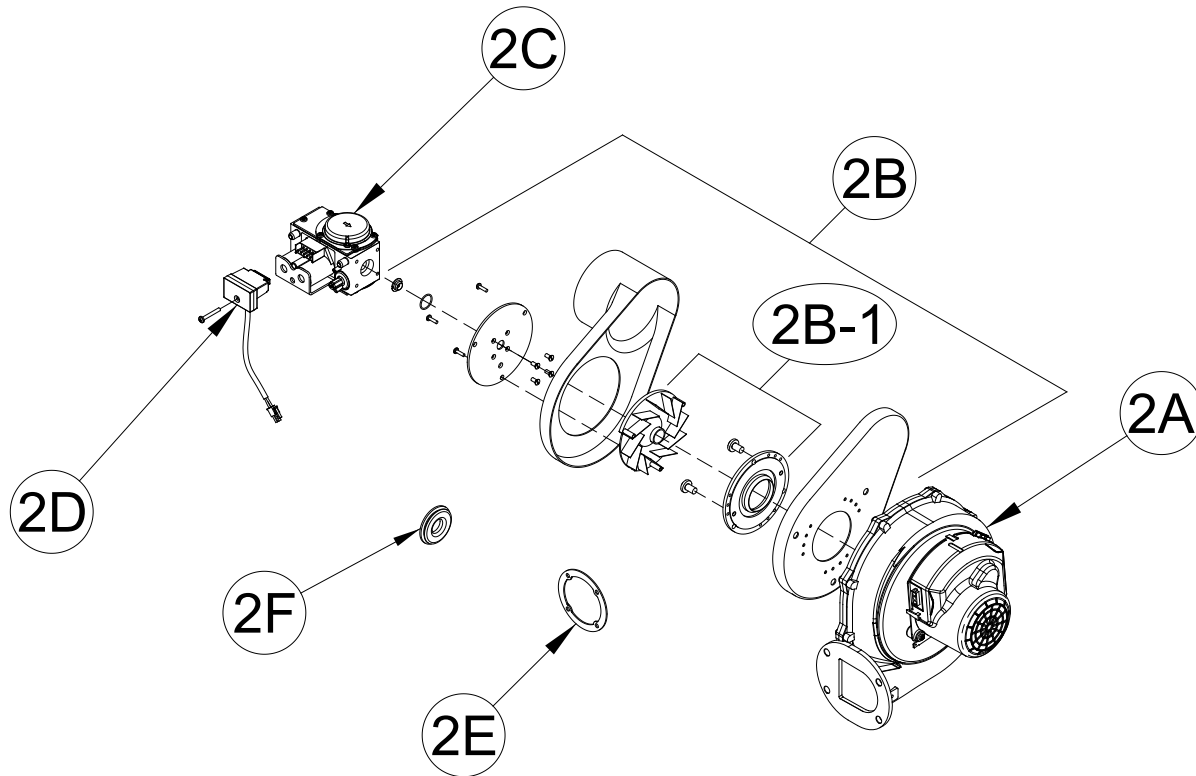


XIII. Repair Parts (continued)



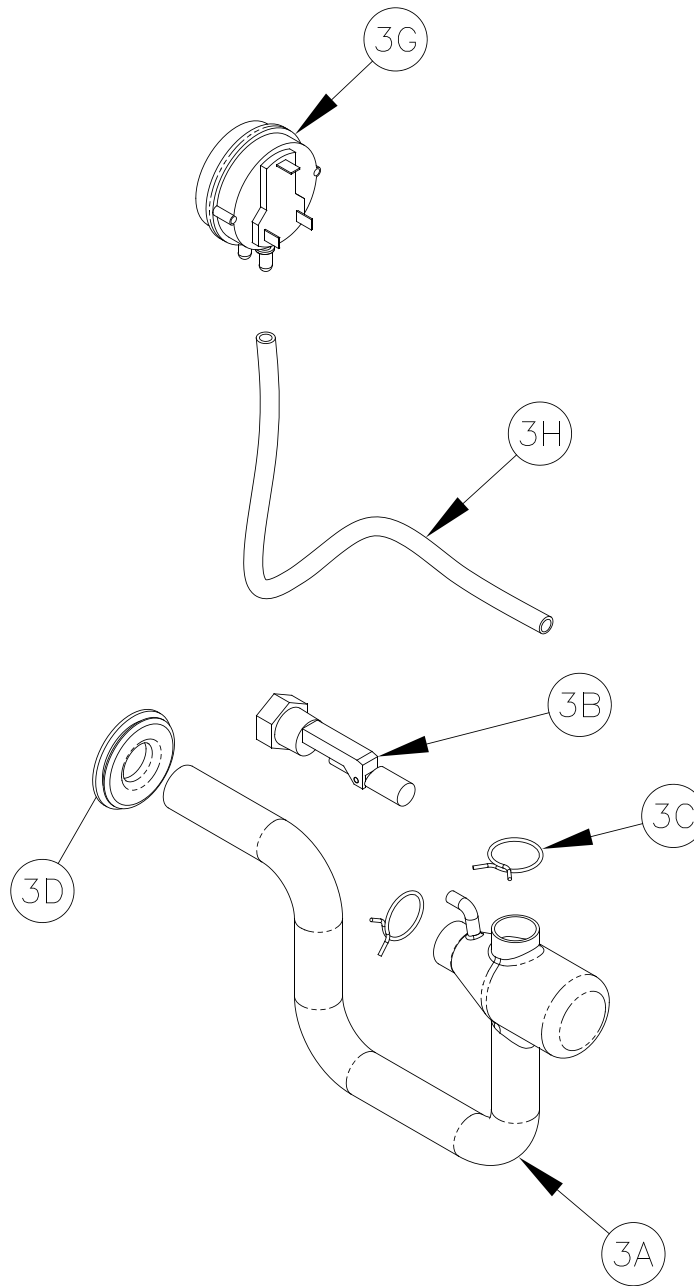
Key No.	Description	Part Number				
		ALP080B	ALP105B	ALP150B	ALP210B	ALP285B
Bare Heat Exchanger and Related Components (1B through 1E)						
1A	Bare Heat Exchanger	101931-01	101931-02	101931-03	101931-04	101931-05
1B	Air Vent Valve	101586-01				
1C	Supply/Return Water Temp Sensor - (2 per boiler)	101685-01				
1D	High Limit	101653-01				
1E	Replacement Rear Insulation Disc	104856-01				
N/A	Replacement Rear Insulation Disc and Thermal Link Switch Kit (Not Shown, includes insulation disc, thermal link switch and instructions)	104998-01				
N/A	Thermal Link Switch (Backside of Duo Heat Exchanger) (Not Shown)	N/A				103321-01
N/A	Flue Exit Gasket Kit (Gasket is inside of Vent Termination of Heat Exchanger) (Not Shown, includes gasket and Molykot 111 grease)	104500-01				104501-01
Burner Components						
N/A	Replacement Burner Kit (Not Shown, includes burner head, burner head seal and hardware)	105188-01	105188-02	105188-03	105188-04	105188-05
1G	Burner Head	101731-01	101731-02	101731-03	101731-04	101731-05
1H	Burner Head Seal	102739-01				
N/A	Replacement Burner Door Kit (Not Shown, includes partially assembled burner door, flame sensor & igniter gaskets, door insulation and thermostat. Does not include flame sensor and igniter)	105185-01				104992-01
1J	Replacement Partially Assembled Burner Door	102696-01				
1K	Gas/Air Intake Duct Assembly	101725-01			101725-02	
1L	Replacement Igniter Kit	103005-01				
1M	Replacement Flame Sensor Kit	103339-01				
1N	Burner Door Outer Seal	101730-01				
1P	Burner Door Insulation (Warning: Contains RCF)	101728-01				
N/A	Burner Door Thermostat with Manual Reset (Not Shown)	N/A				104569-01
N/A	Burner Door M6x1 Hex Flange Nut (Not Shown, 6 per boiler)	101724-01				
N/A	Replacement Gas/Air duct Kit (Not Shown, includes gas/air duct, duct gaskets and hardware)	105186-01			104994-01	

XIII. Repair Parts (continued)



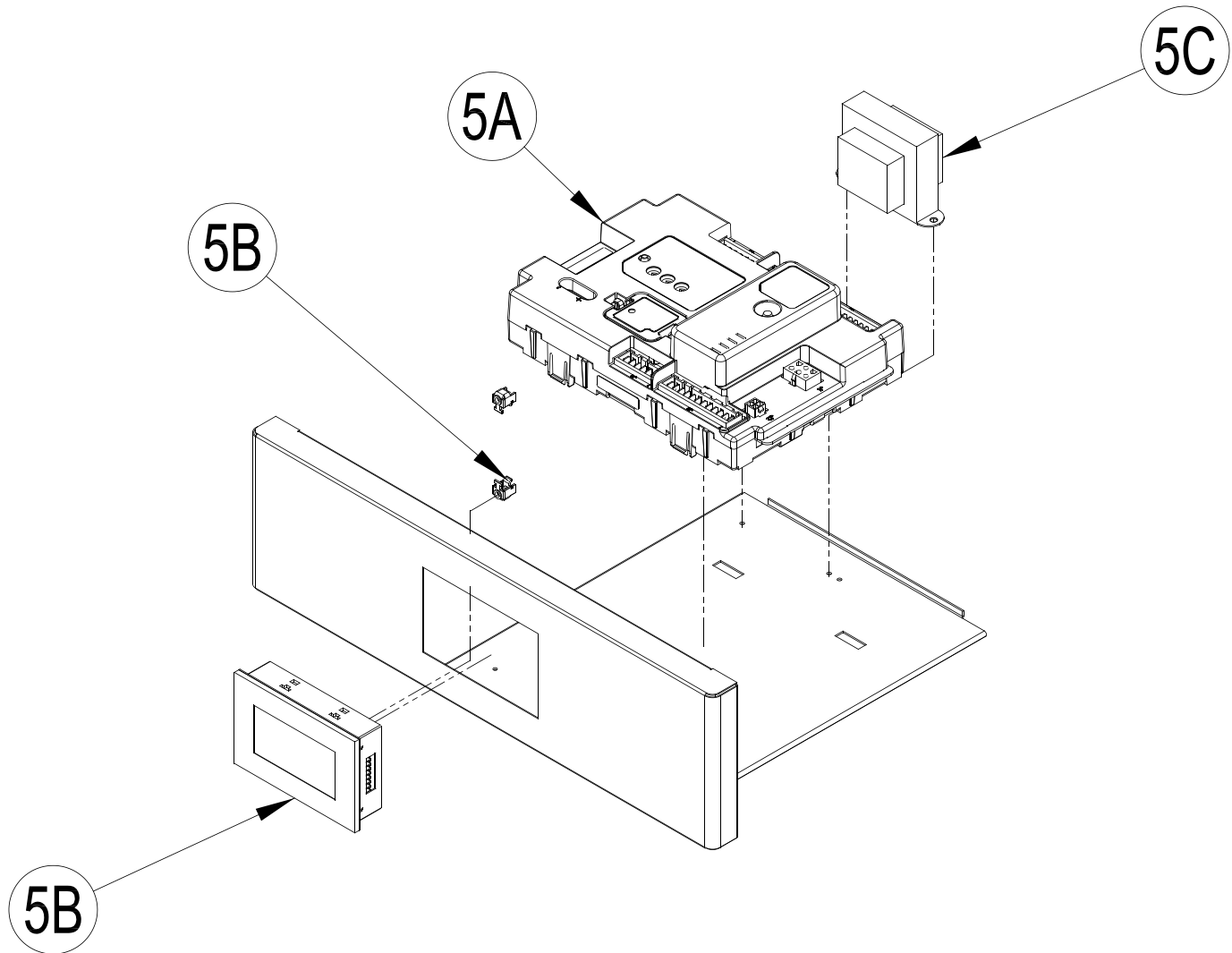
Key No.	Description	Part Number				
		ALP080B	ALP105B	ALP150B	ALP210B	ALP285B
2A	Blower	101527-01		101528-01	101529-01	101530-01
2B	Blower Inlet Shroud Assembly [includes Gas Orifice; Gas Orifice O-Ring; (3x) M4x20 mm or (3x) M4x25 mm self-threading screws; Injector Plate; (4x) M4 x 10 mm flat head screws; Air Intake Adapter - Air Connection Side; Swirl Plate; (2x) M5 x 16 mm Phillips flat head screws; Blower Adapter Plate; Air Intake Adapter - Blower Side; Spacer Plate (for size 080 through 150 only)].	101704-01	101704-02		101704-03	101704-04
2B-1	Blower Inlet Repair Kit (Includes Blower Adapter Plate, Swirlplate and Mounting Hardware)	104620-01	104620-02	104620-03	104620-04	
2C	Gas Valve	102975-01	102975-02	102975-04	102975-05	
2D	Gas Valve Harness with Plug	MCBA Control		102971-02		
		Sage2.1 Control		102971-01		
2E	Blower Outlet Gasket	101345-01				
2F	Rubber Grommet, Gas Line	820SOL0001				101638-01

XIII. Repair Parts (continued)



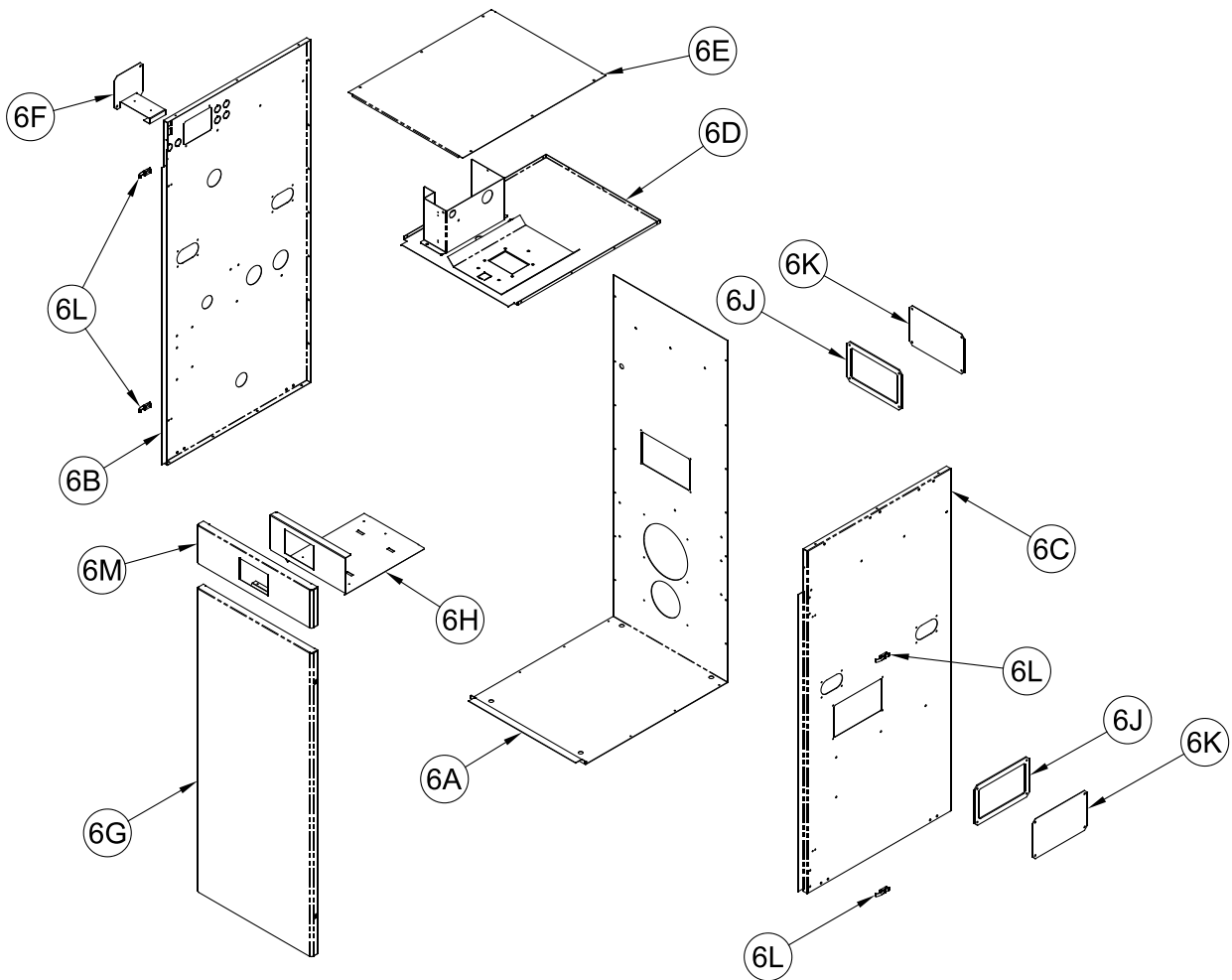
Key No.	Description	Part Number				
		ALP080B	ALP105B	ALP150B	ALP210B	ALP285B
Repair Condensate Trap and Related Components						
3A	Replacement Condensate Trap Kit	104704-01				
3B	Replacement Condensate Float Switch Kit	105005-01				
3C	Spring Clip, Condensate Trap - (2 per boiler)	101632-01				
3D	Rubber Grommet, Condensate Trap	101595-01				
3G	Air Pressure Switch	104425-01	104426-01			
3H	Air Pressure Switch Tubing, Black	9 in. 7016039				13.5 in. 7016041
N/A	Condensate Neutralizer Kit (Not Shown)	101867-01				
N/A	Limestone Chips (Not Shown)	101873-01				

XIII. Repair Parts (continued)



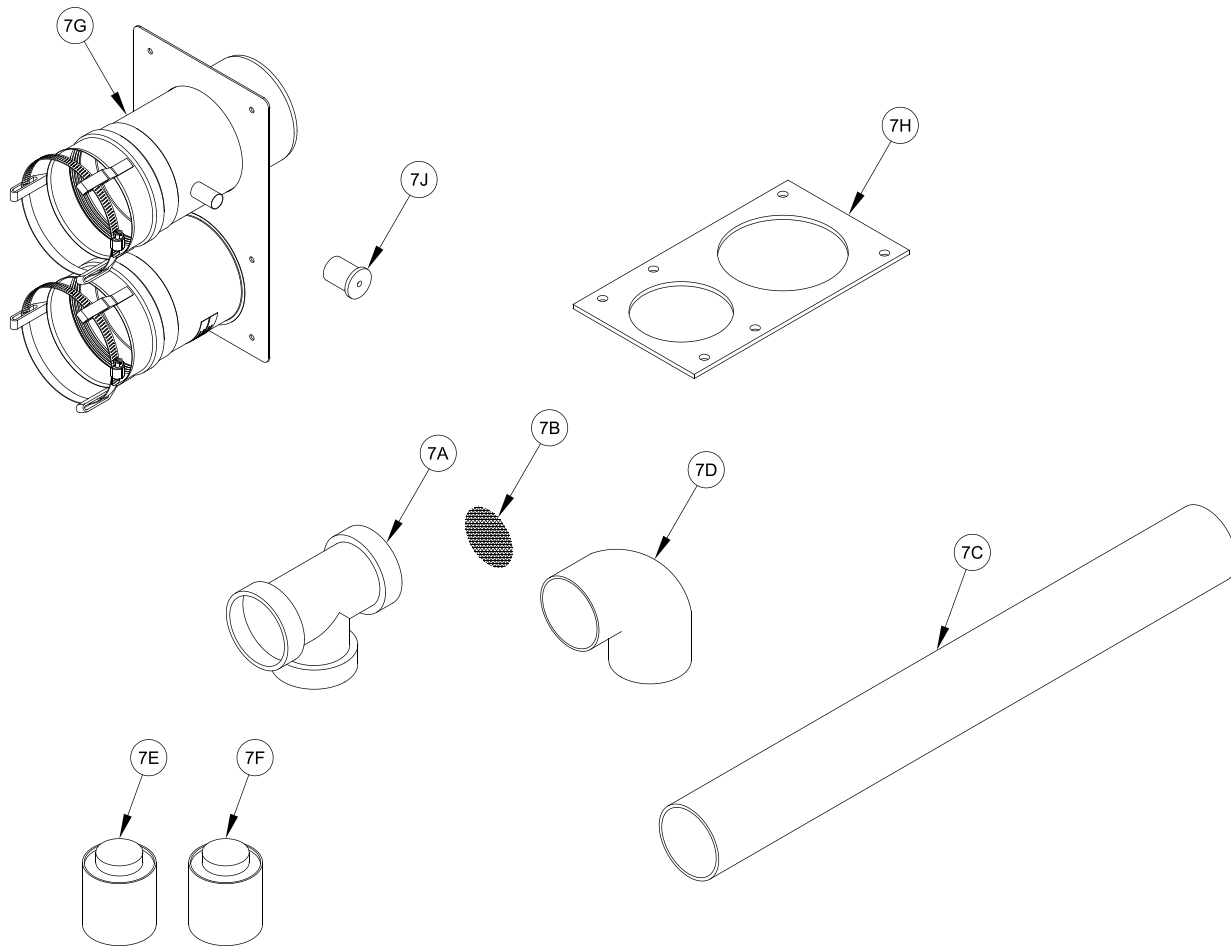
Key No.	Description	Part Number								
		080 -02	080 -27	105 -02	105 -27	150 -02	150 -27	210 -02	210 -27	285 -07
5A	Sage2.1 (Programmed) Kit	104472-01								
5B	Programmed Display (with Mounting Hardware)	104570-01								
5C	Sage2.1 Transformer	102516-01								

XIII. Repair Parts (continued)



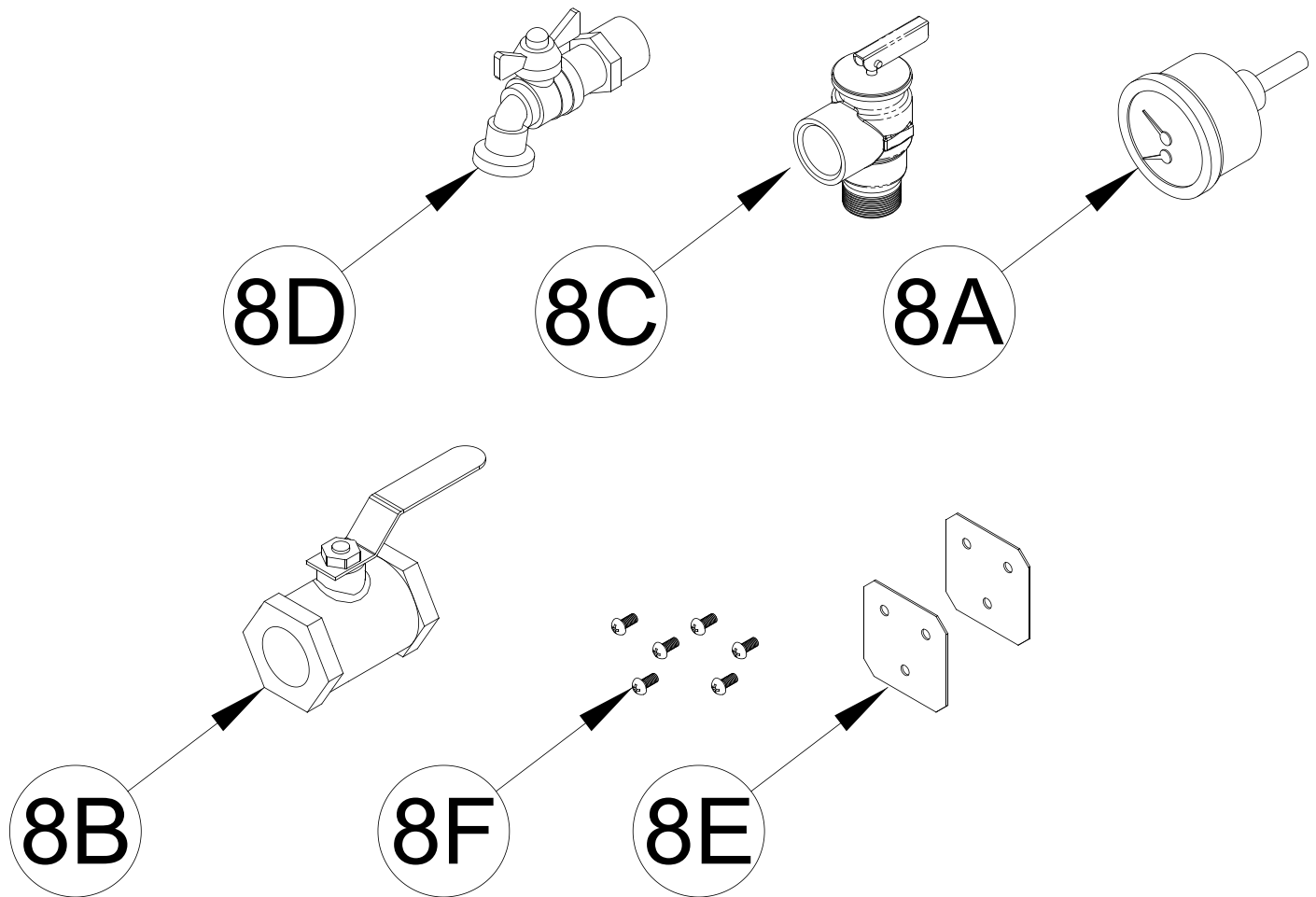
Key No.	Description	Part Number				
		ALP080B	ALP105B	ALP150B	ALP210B	ALP285B
6A	Jacket, Rear/Bottom Panel	101217-01	101217-02	101217-03	101217-04	101217-05
6B	Replacement Left Side Panel Kit (includes labels, access panels, grommets and header gaskets)	105184-01	105184-02	105184-03	105184-04	105184-05
6C	Replacement Right Side Panel Kit (includes labels, access panels and gaskets)	105183-01	105183-02	105183-03	105183-04	105183-05
6D	Partition Shelf Assembly	102831-01	102831-02	102831-03	102831-04	102831-05
6E	Replacement Top Panel Kit (includes labels)	105181-01	105181-02	105181-03	105181-04	105181-05
6F	High Voltage Terminal Bracket	102780-01				
6G	Replacement Front Door Kit (includes labels)	105016-02				105016-01
6H	Control Tray	103336-01				
6J	Replacement Access Panel Kit, 5 in. x 8 in. (includes gasket)	105010-01				
6K	Access Panel Gasket, 5 in. x 8 in.	102877-01				
6L	Replacement Door Latch Kit (includes rivets)	105012-01				
6M	Upper Front Panel	102778-01				
N/A	Replacement Handle Kit (not shown, includes gasket)	105015-01				
N/A	Nylon Glide Replacement Kit (not shown, includes 6 glides)	105014-01				
N/A	Replacement Stacking Bracket Kit (not shown, includes 4 brackets and hardware)	105022-01				

XIII. Repair Parts (continued)



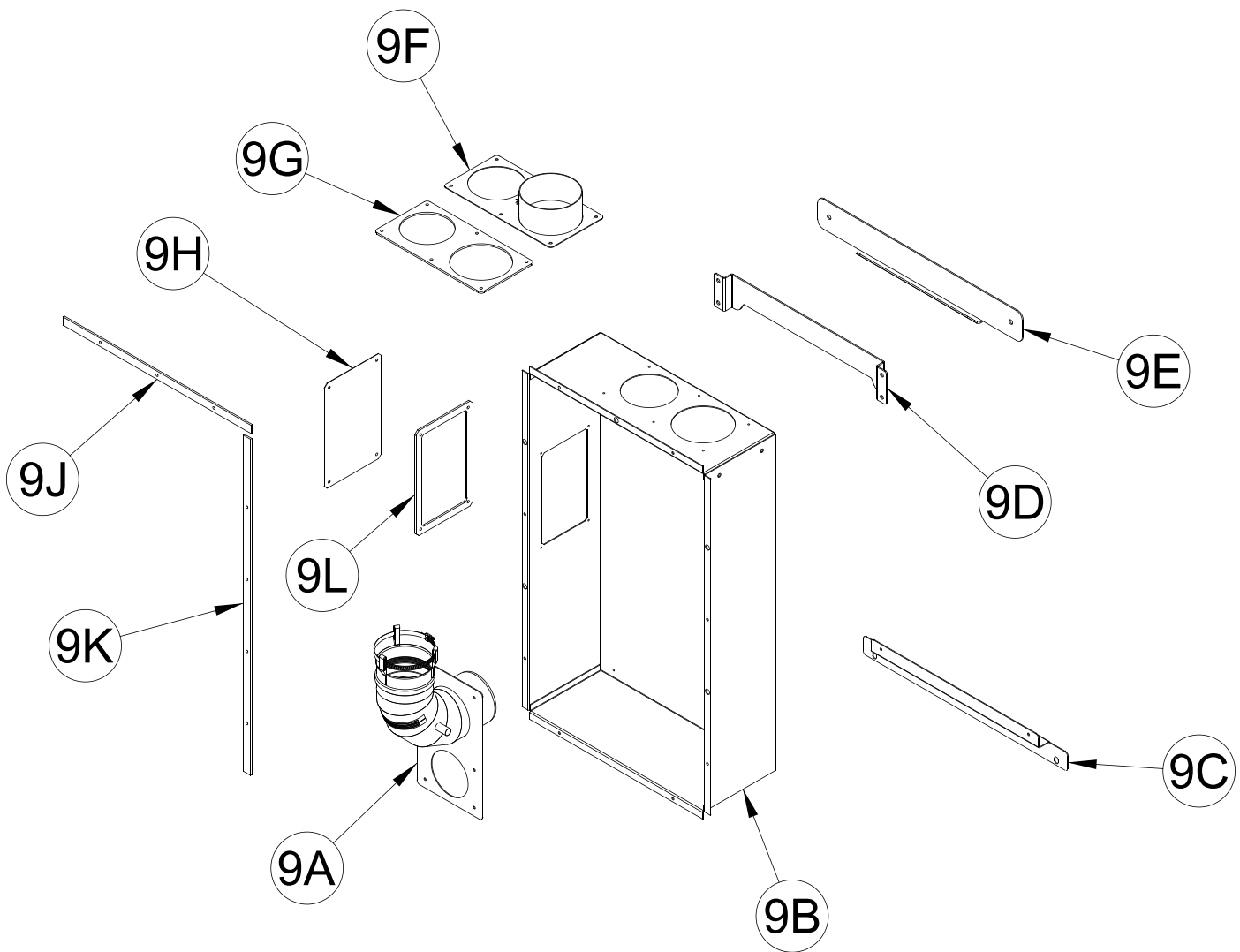
Key No.	Vent System Components	Part Number	Quantity		
			ALP080B & ALP105B	ALP150B & ALP210B	ALP285B
7A	3" Schedule 40 PVC Tee Vent/Combustion Air Terminal	102190-01	2	1	N/A
	4" Schedule 40 PVC Tee Vent/Combustion Air Terminal	102190-02	N/A	1	2
7B	3" Stainless Steel Rodent Screens	102191-01	2	1	N/A
	4" Stainless Steel Rodent Screens	102191-02	N/A	1	2
7C	3" x 30" Schedule 40 CPVC Pipe	102193-01	1		N/A
	4" x 30" Schedule 40 CPVC Pipe	102193-02	N/A		1
7D	3" Schedule 80 CPVC 90° Elbow	102192-01	1		N/A
	4" Schedule 80 CPVC 90° Elbow	102192-02	N/A		1
7E	8 oz. Bottle of Transition Cement	102195-01	1		
7F	8 oz. Bottle of Primer	102194-01	1		
7G	3" x 3" CPVC/PVC Vent System Connector Assembly (with sensor cap and flue sensor)	105133-01	1	N/A	
	3" x 4" CPVC/PVC Vent System Connector Assembly (with sensor cap and flue sensor)	105133-02	N/A	1	N/A
	4" x 4" CPVC/PVC Vent System Connector Assembly (with sensor cap and flue sensor)	105133-03	N/A		1
7H	3" x 4" CPVC/PVC Vent System Connector Gasket	102185-01	1		N/A
	4" x 4" CPVC/PVC Vent System Connector Gasket	102185-02	N/A		1
7J	Replacement Flue Temperature Sensor Cap Kit (includes cap, Molykot 111 grease and instructions)	105197-01	1		
	Flue Temperature Sensor (Not Shown)	101687-01	1		

XIII. Repair Parts (continued)



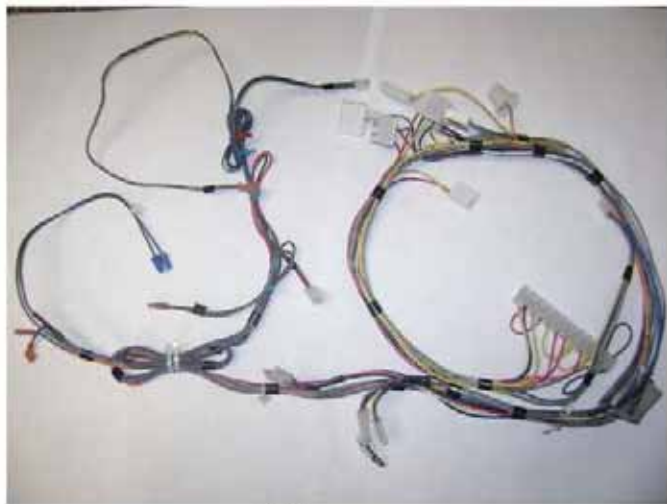
Key No.	Description	Part Number				
		ALP080B	ALP105B	ALP150B	ALP210B	ALP285B
MISCELLANEOUS PARTS CARTON		102942-01			102942-02	
8A	Temperature/Pressure Gauge	100282-01				
8B	External Gas Shut Off Valve	806SOL0005			101615-01	
8C	Safety Relief Valve	30 PSI: 81660363			30 PSI: 81660319	
N/A	Alternate Safety Relief Valve (Not Shown)	50 PSI: 103837-01				
N/A	Alternate Safety Relief Valve Kit (Not Shown, includes safety relief valve and temperature & pressure gauge)	80 PSI: 104200-01 100 PSI: 104201-01				
8D	Boiler Drain Valve, 3/4" NPT	806603061				
8E	Boiler Stacking Brackets - Two (2) pcs per assembly required	101679-01				
8F	Boiler Stacking Bracket Screws - Eight (8) pcs per assembly required	80860743				
	Outdoor Temperature Sensor (Not Shown)	102946-01				

XIII. Repair Parts (continued)

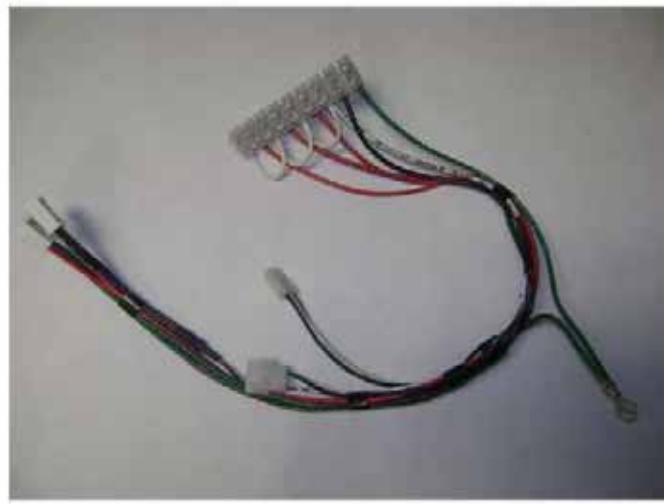


Key No.	Description	Part Number				
		ALP080B	ALP105B	ALP150B	ALP210B	ALP285B
9A	Vent Elbow w/Flue Sensor Port		102878-01			N/A
9B	Rear Air Box		102867-01			N/A
9C	Bottom Securing Bracket		102870-01			N/A
9D	Hanging Bracket, Boiler		102868-01			N/A
9E	Hanging Bracket, Wall		102869-01			N/A
9F	Air Collar Plate Assembly	102871-02		102871-01		N/A
9G	Air Collar Plate Gasket		102876-01			N/A
9H	Access Panel, Rear Air Box		102873-01			N/A
9J	Horizontal Strip Gasket - Two (2) pcs per assembly required		102875-01			N/A
9K	Vertical Strip Gasket - Two (2) pcs per assembly required		102874-01			N/A
9L	Access Panel Gasket		102877-01			N/A
	1/4-20 x 5/8 Hex Head Cap Screw (Not Shown) - Four (4) pcs per assembly required		80861312			N/A
	1/4-20 Hex Nut w/Lock (Not Shown) - Four (4) pcs per assembly required		80860456			N/A
	Sheet Metal Screw, #8 x 1/2", Black Oxide (Not Shown) - Sixteen (16) pcs per assembly required		80860061			N/A

XIII. Repair Parts (continued)



10A



10B



10C



10D



10E



10F

Key No.	Description	Part Number				
		ALP080B	ALP105B	ALP150B	ALP210B	ALP285B
---	Complete Wiring Harness (includes 10A, 10B, 10C & 10D)			102701-03		
10A	Main (Low Voltage) Harness			103009-03		
10B	High Voltage Harness			103010-02		
10C	Blower Power Harness			103012-01		
10D	Communication Harness			103011-01		
10E	Igniter Harness			103486-01		
10F	Wiring Harness, Thermal Link & Burner Door Thermostat		N/A			104574-01