
XV. Repair Parts

All K2FT™ Series Repair Parts may be obtained through your local U.S. Boiler Wholesale distributor. Should you require assistance in locating a U.S. Boiler distributor in your area, or have questions regarding the availability of U.S. Boiler products or repair parts, please contact U.S. Boiler Customer Service at (717) 481-8400 or Fax (717) 481-8408.

XV. Repair Parts (continued)

Space Heating Models Heat Exchanger & Piping Repair Parts					
Key No.	Description	Part Number (Qty)			
		K2FT-085	K2FT-110	K2FT-155	K2FT-205 K2FT-270
1A	Heat Exchanger	Contact U.S. Boiler Company. Provide boiler serial number.			
1B	Burner Repair Kit (includes burner and screws)	106986-01	106986-02	106986-03	106986-04
1C	Burner Screw, Socket Head Cap Screw, M4 x 6mm, 316SS	101064-01 (3)		101064-01 (4)	101064-01 (5)
1D	Burner Plate Insulation	106969-01		106969-02	106969-03
1E	Burner Plate Repair Kit (includes burner plate and insulation)	106985-01		106985-02	106985-03
1F	Burner Plate Flange Locknut, Serrated, M6 x 1.0, Zinc Plated Steel	101724-01 (4)		101724-01 (5)	
1G	Flame Sensor Repair Kit (includes electrode, gasket and hardware)	105798-01			
1H	Igniter Repair Kit (includes electrode, gasket and hardware)	103005-02			
1I	Heat Exchanger Flue Gasket Repair Kit	107000-01			107000-02
1J	Flue Pipe Repair Kit (includes pipe and gasket)	106998-01			106998-02
1K	Flue Pipe Gasket Repair Kit	106999-01			
1L	Silicone Tubing Repair Kit	106989-01			
1M	Flue/Inlet Switch Repair Kit	106988-01	105857-01	106988-02	
1N	Condensate Trap Repair Kit	106990-01			
1O	Return Sensor Repair Kit	106991-01			
1P	Flue Gas / Blocked Drain Sensor Repair Kit	106993-01			
1Q	Supply Sensor Repair Kit	106994-01			
1R	30 PSI Relief Valve	81660319			
1S	3/4" NPT Drain Valve	806603061			
1T	Temperature & Pressure Gauge Repair Kit	105894-01			
1U	Water Gasket Repair Kit (includes 2 gaskets)	106995-01			106996-01
1V	Supply Pipe Assembly Repair Kit (includes pipe assembly, gasket and jacket grommets)	106977-01			106977-02
1W	Return Pipe Assembly Repair Kit (includes pipe assembly, gasket and jacket grommets)	106997-01			106997-02

XV. Repair Parts (continued)

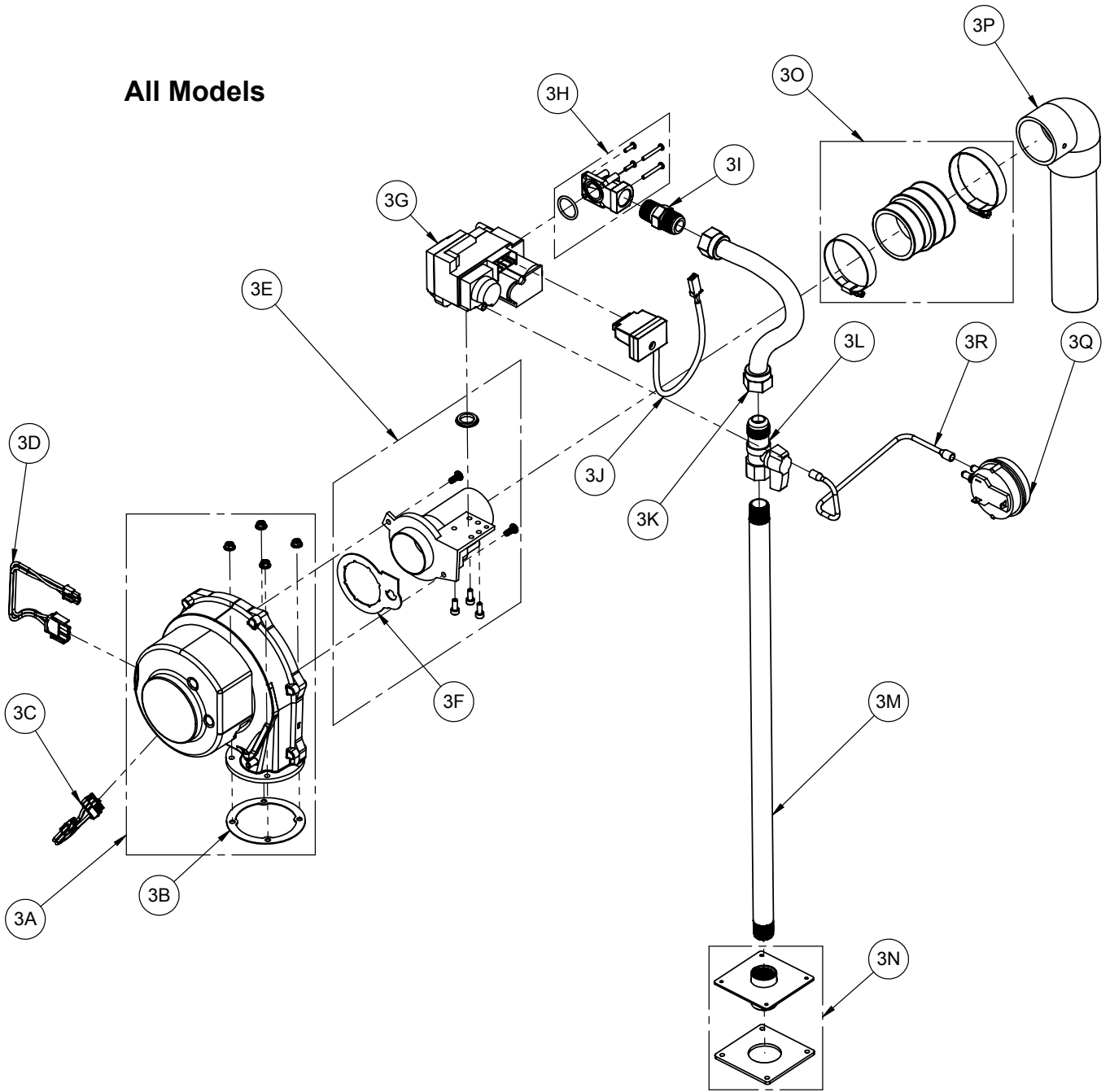
155 MBH Combi Heat Exchanger and Piping Repair Parts		
Key No.	Description	Part Number (Qty)
		K2FTC-155
2A	Heat Exchanger	Contact U.S. Boiler Company. Provide boiler serial number.
2B	Burner Repair Kit (includes burner and screws)	106986-03
2C	Burner Screw, Socket Head Cap Screw, M4 x 6mm, 316SS	101064-01 (4)
2D	Burner Plate Insulation	106969-02
2E	Burner Plate Repair Kit (includes burner plate and insulation)	106985-02
2F	Burner Plate Flange Locknut, Serrated, M6 x 1.0, Zinc Plated Steel	101724-01 (5)
2G	Flame Sensor Repair Kit (includes electrode, gasket and hardware)	105798-01
2H	Igniter Repair Kit (includes electrode, gasket and hardware)	103005-02
2I	Heat Exchanger Flue Gasket Repair Kit	107000-01
2J	Flue Pipe Repair Kit (includes pipe and gasket)	106998-01
2K	Flue Pipe Gasket Repair Kit	106999-01
2L	Silicone Tubing Repair Kit	106989-01
2M	Flue/Inlet Switch Repair Kit	105857-01
2N	Condensate Trap Repair Kit	106990-01
2O	Return Sensor Repair Kit	106991-01
2P	Flue Gas / Blocked Drain Sensor Repair Kit	106993-01
2Q	Supply Sensor Repair Kit	106994-01
2R	30 PSI Relief Valve	81660319
2S	3/4" NPT Drain Valve	806603061
2T	Temperature & Pressure Gauge Repair Kit	105894-01
2U	Water Gasket Repair Kit (supply and return pipes, includes 2 gaskets)	106995-01
2V	Supply Pipe Assembly Repair Kit (includes pipe assembly, zone valve body, gasket and jacket grommet)	106977-03
2W	Return Pipe Assembly Repair Kit (includes pipe assembly, gasket and jacket grommet)	106978-01
2X	Zone Valve Actuator	106847-01
2Y	Circulator to Flat Plate Pipe Assembly Repair Kit (includes gasket)	106979-01
2Z	Water Gasket Repair Kit (top flat plate heat exchanger connections, includes 2 gaskets)	106996-01
2AA	DHW Circulator, Taco 007 (includes circulator and gaskets)	106943-01
2BB	Circulator Flange Kit (includes 2 flanges and hardware)	105149-01
2CC	Flat Plate Heat Exchanger Repair Kit (includes heat exchanger, water gaskets and jacket gasket)	106984-01
2DD	Flat Plate Heat Exchanger to Mixing Valve Repair Pipe Assembly (includes gaskets)	106980-01
2EE	DHW to Mixing Valve / Flat Plate Repair Pipe Assembly (includes gaskets)	106981-01
2FF	Mixing Valve to DHW Repair Pipe Assembly (includes gaskets)	106982-01
2GG	Water Gasket Repair Kit (bottom flat plate heat exchanger connections and mixing valve, includes 5 gaskets)	106488-01
2HH	Thermostatic Mixing Valve	106342-01
2II	Flow Switch	106343-01
not shown	DHW Circulator and Zone Valve Repair Harness	107004-01

XV. Repair Parts (continued)

All Models Blower and Gas Train Repair Parts						
Key No.	Description	Part Number (Qty)				
		K2FT-085	K2FT-110	K2FT-155 & K2FTC-155	K2FT-205	K2FT-270
3A	Blower Repair Kit (includes blower, hardware and gaskets)	107001-01			107001-02	107001-03
3B	Blower Outlet Gasket Repair Kit	106029-01				
3C	Blower Control Harness Repair Kit (4 wire harness)	107002-01				
3D	Blower Power Harness Repair Kit (3 wire harness)	107003-01				
3E	Venturi Repair Kit (includes venturi, cork gasket, gas valve o-ring and hardware)	107005-01	107005-02	107005-03	107005-04	107005-05
3F	Venturi Cork Gasket	106082-01				
3G	Gas Valve Repair Kit (includes gas valve, inlet and outlet seals and hardware)	107006-01				
3H	Gas Valve 90° Inlet Flange Repair Kit	107007-01				
3I	Gas Valve Flange Adapter, 5/8" OD Flare x 1/2" NPT	106363-01				
3J	Gas Valve Wire Harness Repair Kit	107008-01				
3K	Gas Flex Tube Repair Kit	107009-01				
3L	Gas Shutoff Valve Repair Kit	107010-01				
3M	Gas Pipe, 1/2" Sch.40 x 22" Long, Carbon Steel	106158-01				
3N	Gas Pipe Inlet Flange Repair Kit (includes flange and jacket gasket)	107011-01				
3O	Attenuator Pipe Coupling Repair Kit (includes coupling and clamps)	107012-01				
3P	Attenuator Pipe Assembly Repair Kit	107013-01		107014-01	107013-01	
3Q	Air Proving Switch Repair Kit	105087-01	107015-01	107015-02		
3R	Silicone Tubing Repair Kit	106989-01				

XV. Repair Parts (continued)

All Models



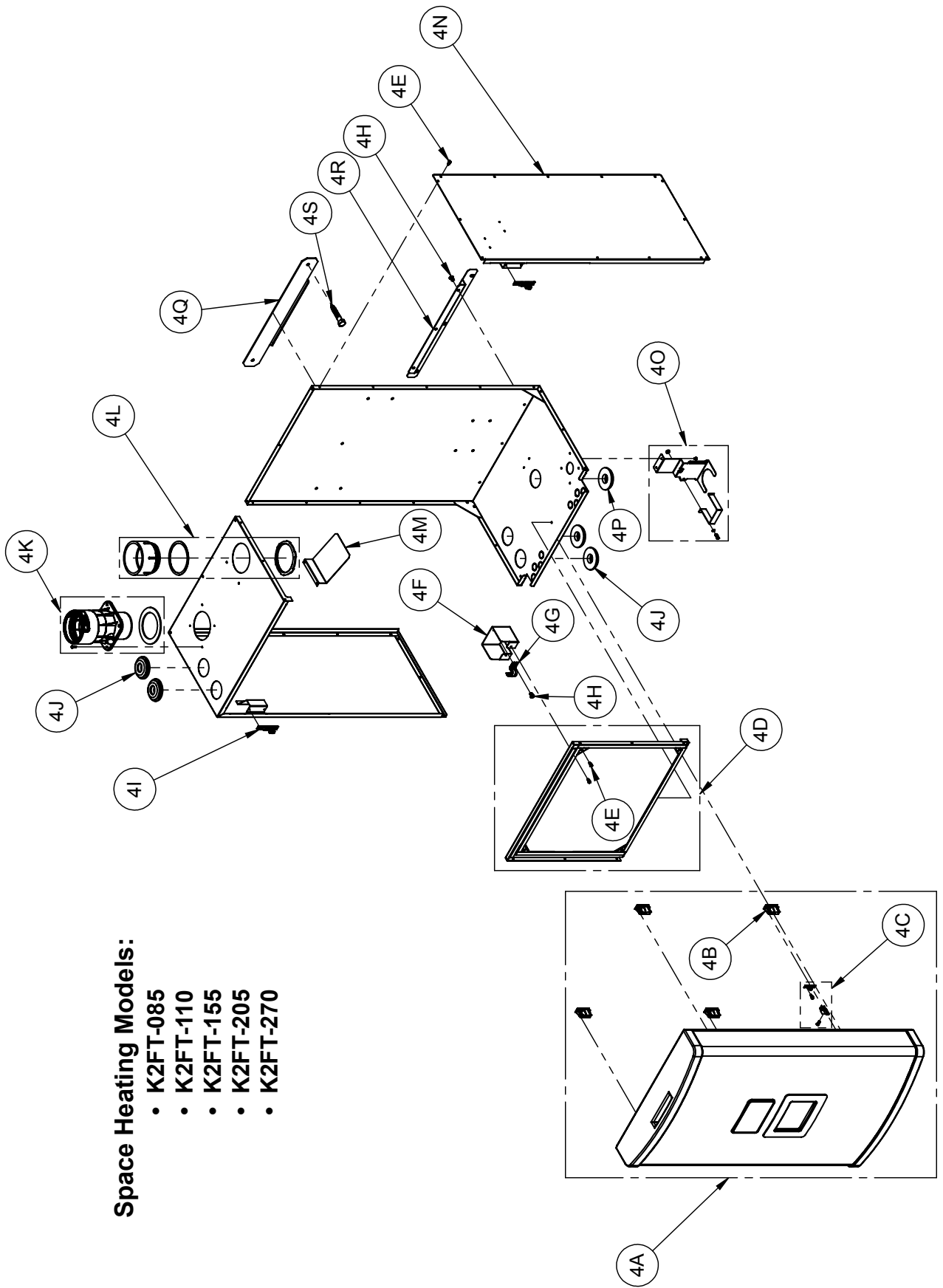
XV. Repair Parts (continued)

Space Heating Models Jacket Repair Parts						
Key No.	Description	Part Number (Qty)				
		K2FT-085	K2FT-110	K2FT-155	K2FT-205	K2FT-270
4A	Front Door Assembly Repair Kit (includes door, plastic trim and hardware)	107016-01				
4B	Door Latch Catch	106145-01 (4)				
4C	Door Grounding Latch (includes catch and keeper)	106093-01				
4D	Control Panel Frame Assembly w / Gaskets	106577-01				
4E	Jacket Screw, 8-18 x 1/2" Long, type B	105368-01				
4F	Gas Train Support Bracket	106331-01				
4G	Gas Pipe Clamp	106162-01				
4H	Gas Pipe Clamp and Hanging Bracket Screw, 1/4 - 20 x 1/2" Long, Type F, Self Tapping	80860700				
4I	Door Latch Keeper	106146-01 (4)				
4J	Water Pipe Grommet	106139-01 (4)			103252-01 (4)	
4K	Vent Connector Repair Kit (includes connector, gaskets and hardware)	107034-01				
4L	Air Intake Connector Repair Kit (includes connector, gasket and locknut)	107017-01				
4M	Air Intake Shield	106389-01				
4N	Right Side Panel Assembly w / Gaskets	106295-01			106296-01	
4O	Condensate Trap Mounting Bracket Repair Kit (includes bracket, collar and hardware)	107018-01				
4P	Condensate Drain Grommet	106139-01				
4Q	Wall Hanging Bracket	102869-01				
4R	Bottom Securing Bracket	105520-01				
4S	Wall Mounting Screw, 5/16" x 2" Lag Screw	101043-01 (5)				

XV. Repair Parts (continued)

Space Heating Models:

- K2FT-085
- K2FT-110
- K2FT-155
- K2FT-205
- K2FT-270

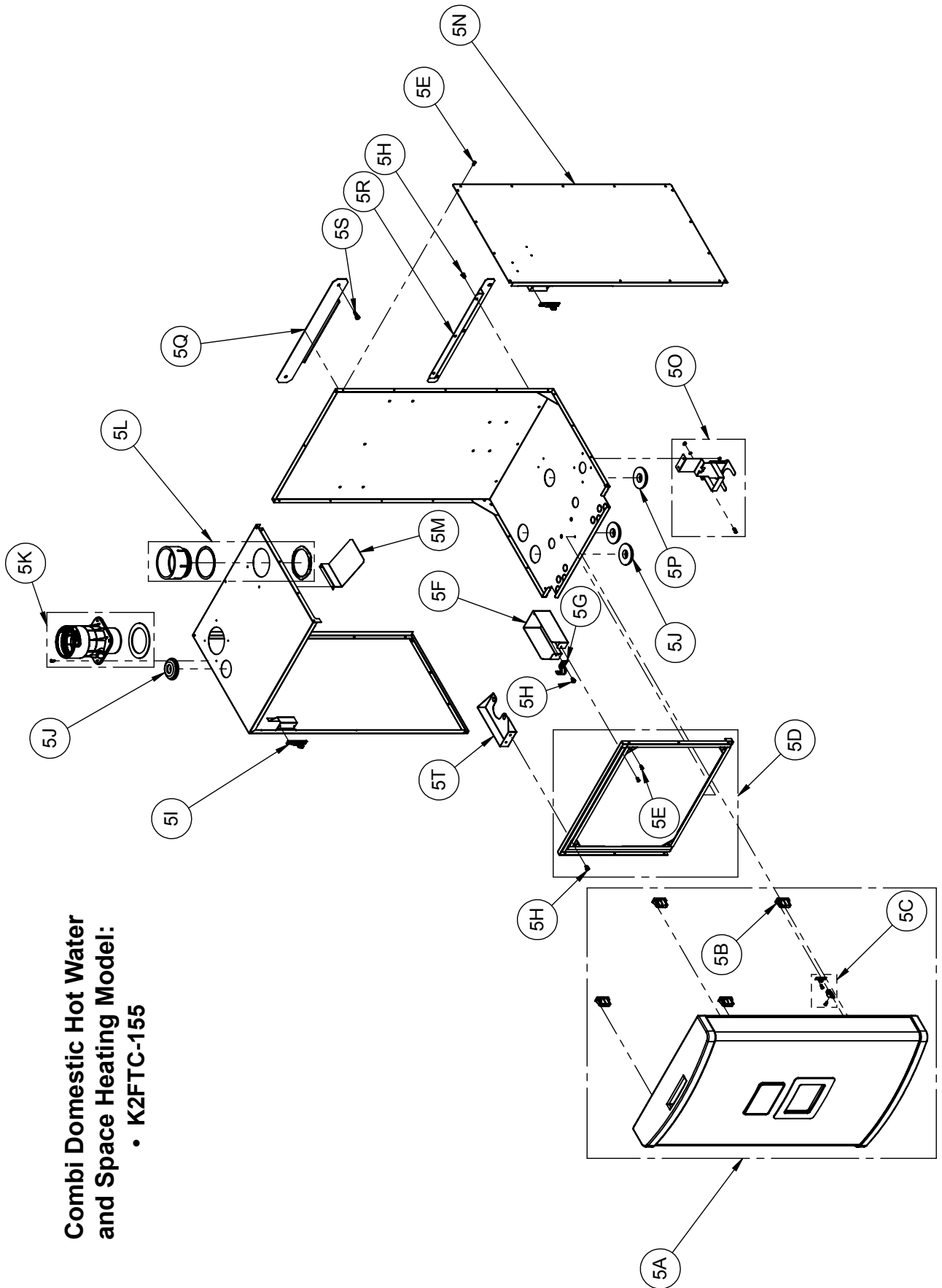


XV. Repair Parts (continued)

155 MBH Combi Jacket Repair Parts		
Key No.	Description	Part Number (Qty)
		K2FTC-155
5A	Front Door Assembly Repair Kit (includes door, plastic trim and hardware)	107016-01
5B	Door Latch Catch	106145-01 (4)
5C	Door Grounding Latch (includes catch and keeper)	106093-01
5D	Control Panel Frame Assembly w / Gaskets	106577-01
5E	Jacket Screw, 8-18 x 1/2" Long, type B	105368-01
5F	Gas Train Support Bracket	106720-01
5G	Gas Pipe Clamp	106162-01
5H	Gas Pipe Clamp and Hanging Bracket Screw, 1/4 - 20 x 1/2" Long, Type F, Self Tapping	80860700
5I	Door Latch Keeper	106146-01 (2)
5J	Water Pipe Grommet	106139-01 (3)
5K	Vent Connector Repair Kit (includes connector, gaskets and hardware)	107034-01
5L	Air Intake Connector Repair Kit (includes connector, gasket and locknut)	107017-01
5M	Air Intake Shield	106389-01
5N	Right Side Panel Assembly w / Gaskets	106715-01
5O	Condensate Trap Mounting Bracket Repair Kit (includes bracket, collar and hardware)	107018-01
5P	Condensate Drain Grommet	106139-01
5Q	Wall Hanging Bracket	102869-01
5R	Bottom Securing Bracket	105520-01
5S	Wall Mounting Screw, 5/16" x 2" Lag Screw	101043-01 (5)
5T	Pump Support Bracket	106972-01

XV. Repair Parts (continued)

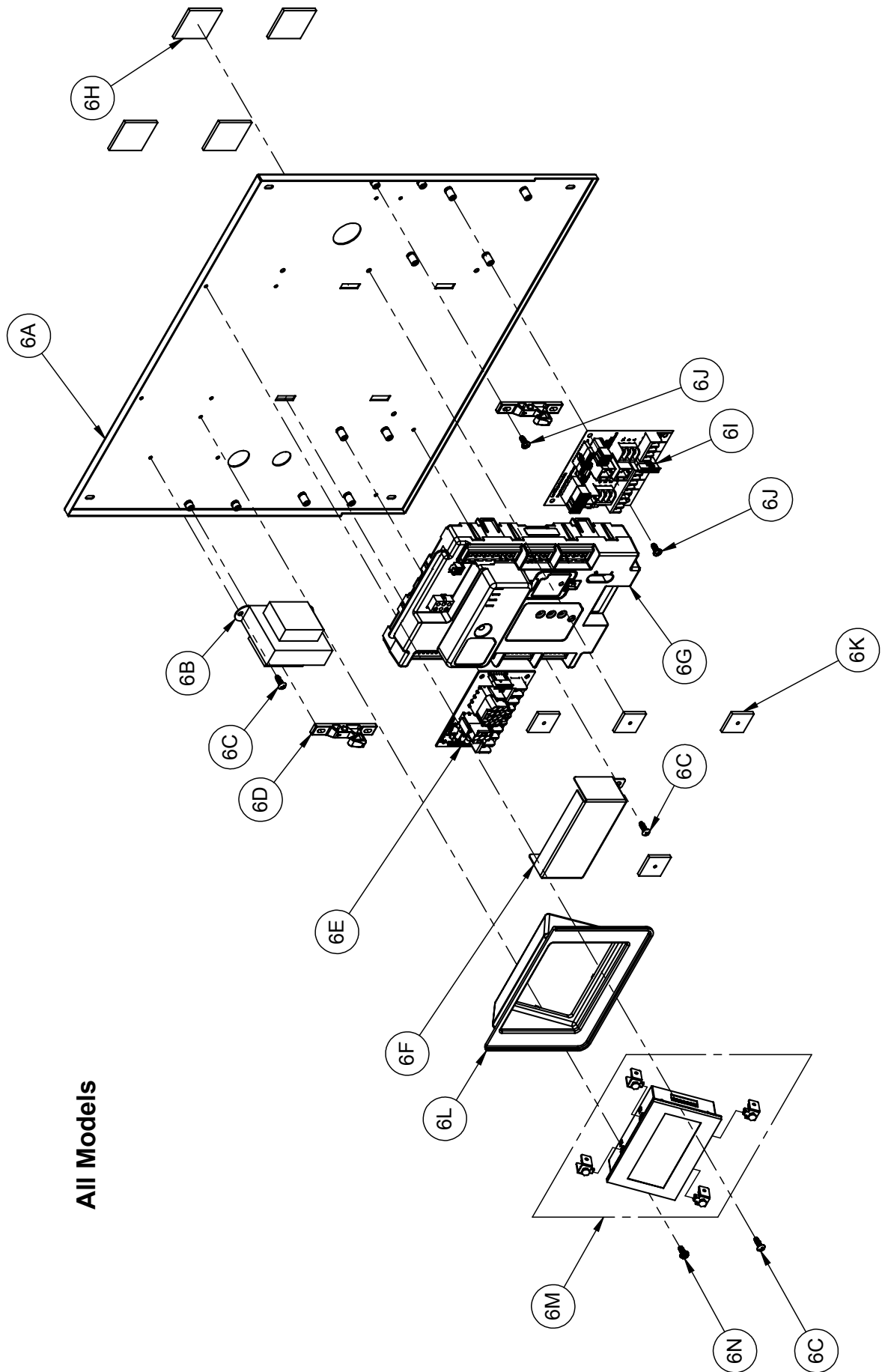
**Combi Domestic Hot Water
and Space Heating Model:
• K2FTC-155**



XV. Repair Parts (continued)

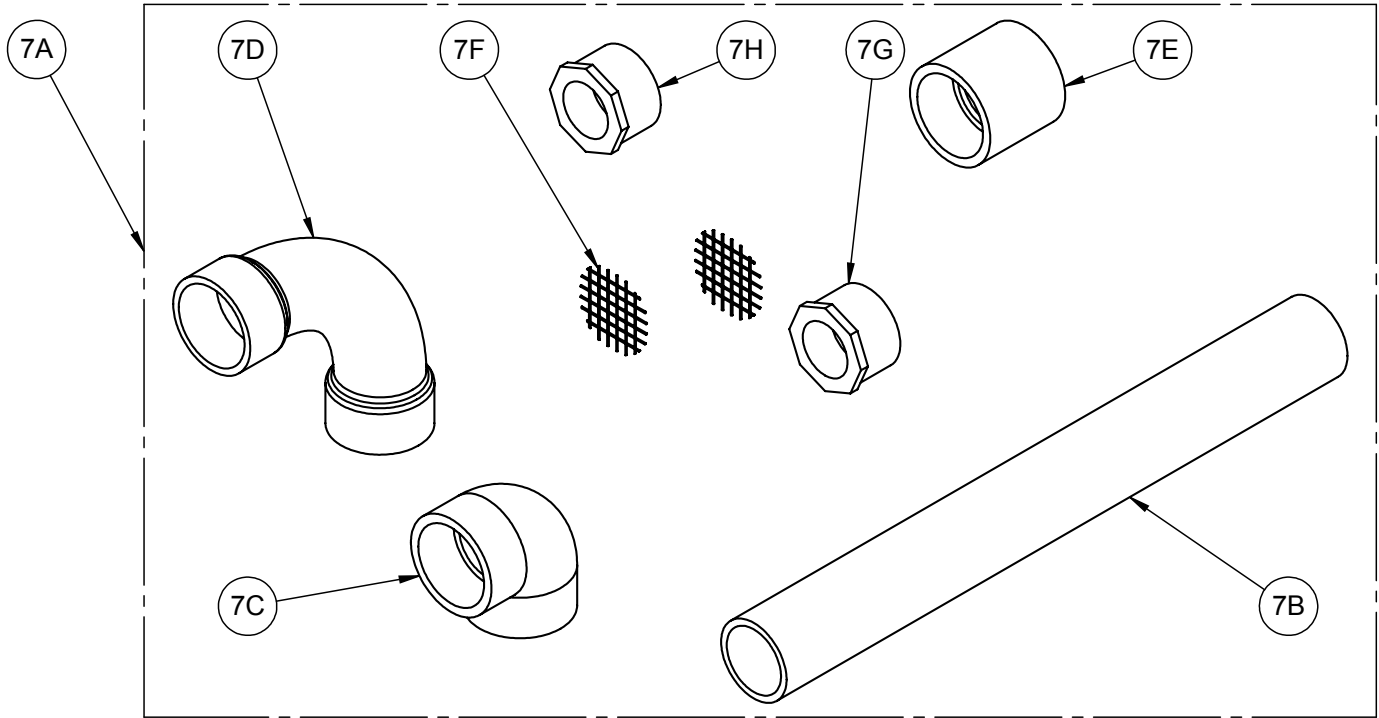
All Models Control Panel Repair Parts						
Key No.	Description	Part Number (Qty)				
		K2FT-085	K2FT-110	K2FT-155 & K2FTC-155	K2FT-205	K2FT-270
6A	Control Panel	106290-01				
6B	Transformer Repair Kit	106034-01				
6C	Jacket Screw, 8 -18 x 1/2" Long, Type B	105368-01				
6D	Door Latch Keeper	106146-01 (2)				
6E	High Voltage PCB Repair Kit (includes PCB, fuses and screws)	107020-01				
6F	High Voltage PCB Cover	106934-01				
6G	Repair Programmed Control	107093-01				
6H	Control Foot Gasket	105109-01 (4)				
6I	Low Voltage PCB Repair Kit (includes PCB, fuse and screws)	107035-01				
6J	PCB and Latch Keeper Screw, 8 -32 x 3/8" Long, Machine Screw	106538-01 (12)				
6K	Wire Harness Tie Gasket	105110-01 (4)				
6L	User Interface Inner Plastic Trim	106380-01				
6M	Programmed Display Repair Kit (includes display and hardware)	107019-01				
6N	Ground Screw, 8 -32 x 3/8" Long, Thread Forming	102200-01				
not shown	High Voltage and Low Voltage Fuse Kit	105856-01				

XV. Repair Parts (continued)



All Models

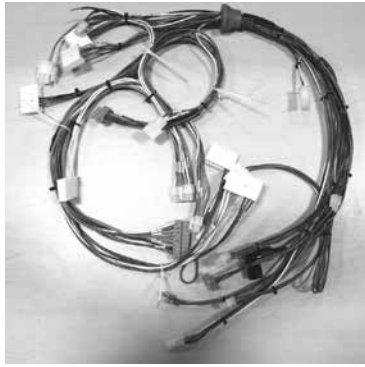
XV. Repair Parts (continued)



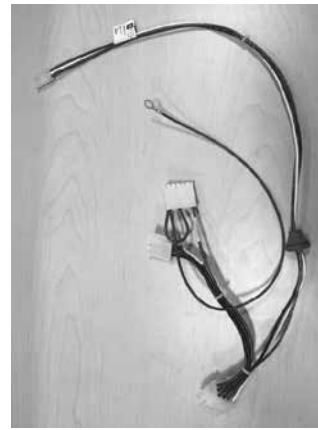
2" CPVC/PVC Sidewall Vent Components						
Key No.	Description	Part Number (Qty)				
		K2FT-085	K2FT-110	K2FT-155 & K2FTFC-155	K2FT-205	K2FT-270
7A	2" PVC Sidewall Vent Kit (includes items 7B through 7H)	107039-01			Not Permitted	
7B	2" x 30" Sched. 40 CPVC Pipe	106612-01			Not Permitted	
7C	2" CPVC 90 Elbow	106610-01			Not Permitted	
7D	2" PVC 90 Elbow Intake Termination	106618-01			Not Permitted	
7E	2" PVC Coupling Vent Termination	101870-01			Not Permitted	
7F	2" SS Termination Screen	102191-04 (2)			Not Permitted	
7G	2" x 3" CPVC Reducing Bushing	106611-01			Not Permitted	
7H	2" x 3" PVC Reducing Bushing	106619-01			Not Permitted	

3" CPVC/PVC Sidewall Vent Components						
Key No.	Description	Part Number (Qty)				
		K2FT-085	K2FT-110	K2FT-155 & K2FTFC-155	K2FT-205	K2FT-270
7A	3" PVC Sidewall Vent Kit (includes items 7B through 7F)			107039-02		
7B	3" x 30" Sched. 40 CPVC Pipe			102193-01		
7C	3" CPVC 90 Elbow			102192-01		
7D	3" PVC 90 Elbow Intake Termination			105293-01		
7E	3" PVC Coupling Vent Termination			105292-01		
7F	3" SS Termination Screen			102191-01 (2)		

XV. Repair Parts (continued)



8A



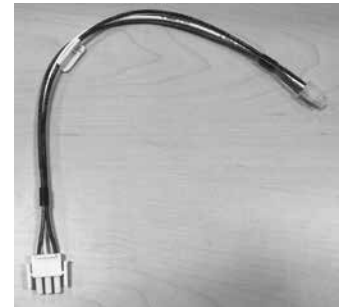
8B



8C



8D



8E



8F



8G

All Models Wire Harness Repair Parts

Key No.	Description	Part Number (Qty)				
		K2FT-085	K2FT-110	K2FT-155 & K2FTC-155	K2FT-205	K2FT-270
8A	Low Voltage / Communication Harness Repair Kit			107036-01		
8B	High Voltage Harness Repair Kit			107037-01		
8C	Ignition Cable Harness Repair Kit			107038-01		
8D	Blower Control Harness Repair Kit (4 wire harness)			107002-01		
8E	Blower Power Harness Repair Kit (3 wire harness)			107003-01		
8F	DHW to Circulator and Zone Valve Harness Repair Kit			107004-01		
8G	Gas Valve Harness Repair Kit			107008-01		
not shown	LWCO Jumper Repair Kit			105908-01		
not shown	Outdoor Temperature Sensor (not shown)			102946-01		
not shown	Header Sensor			103104-01		