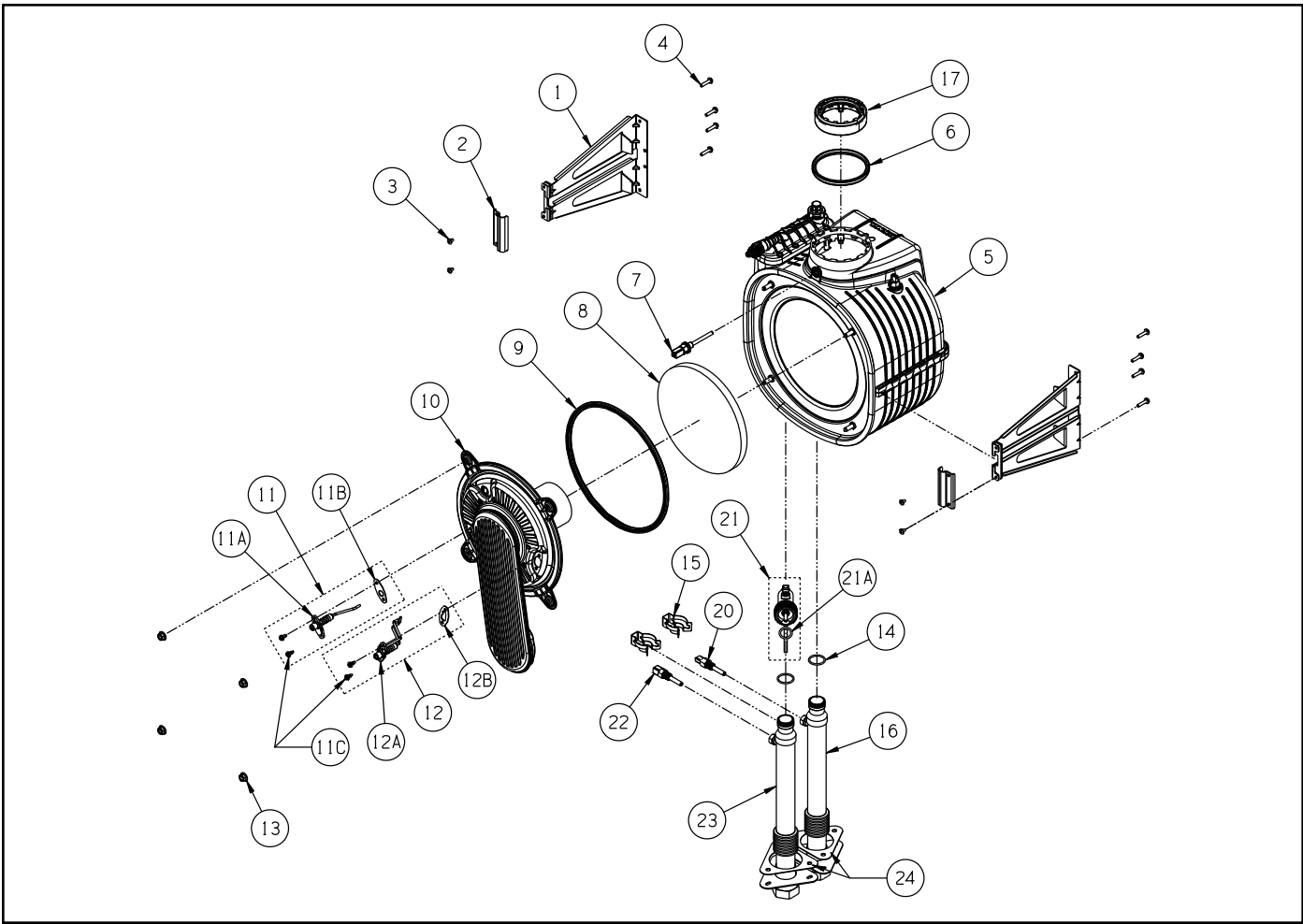
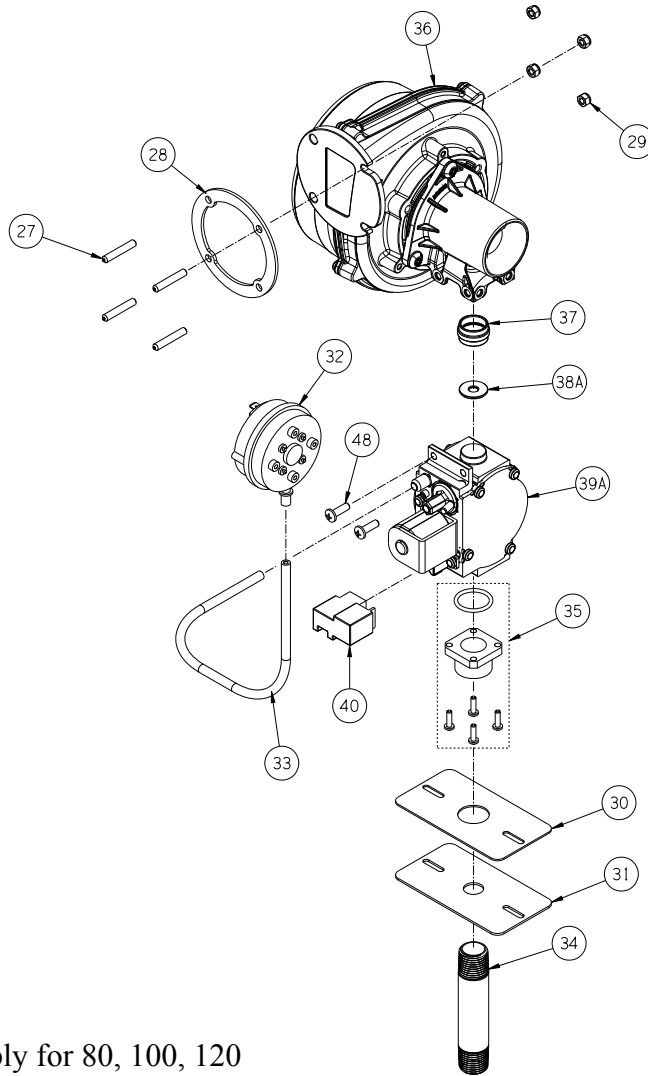


XV Parts

All X-C Series Repair Parts may be obtained through your local U.S. Boiler Wholesale distributor. Should you require assistance in locating a U.S. Boiler Distributor in your area, or you have questions regarding the availability of U.S. Boiler products or repair parts, please contact U.S. Boiler Customer Service at (717) 481-8400 or Fax (717) 481-8408.

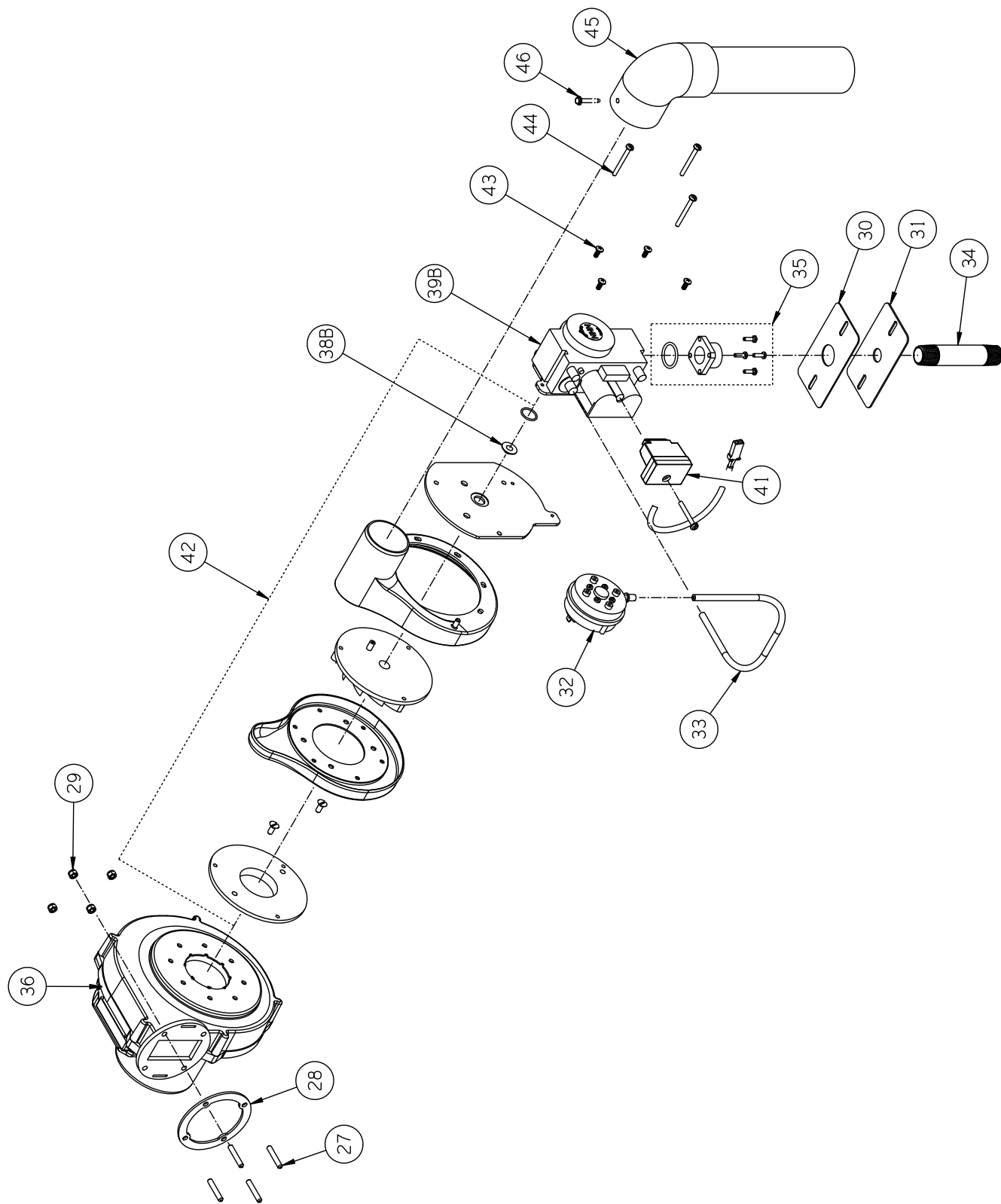


KEY #	DESCRIPTION	QTY. OR PN	QUANTITY OR PART NUMBER				
			80	100	120	150	180
1	FIXING CLAMP BRACKET		CONTACT FACTORY; PROVIDE BOILER SERIAL NUMBER				
2	HOLDING CLAMP						
3	M4 x 7 FIXING CLAMP SCREW						
4	#10-32 X 1/2" THREAD CUTTING SCREW						
5	BARE HEAT EXCHANGER						
6	FLUE OUTLET GASKET	105882-01	1 EA	1 EA	1 EA	1 EA	1 EA
7	FLUE TEMPERATURE SENSOR REPAIR KIT	105883-01	1 EA	1 EA	1 EA	1 EA	1 EA
8	REAR TARGET WALL INSULATION REPAIR KIT	105651-01	1 EA	1 EA	1 EA	1 EA	1 EA
9	COLD BURNER DOOR BLACK OUTER GASKET REPAIR KIT	106030-01	1 EA	1 EA	1 EA	1 EA	1 EA
10	COLD BURNER DOOR ASSEMBLY REPAIR KIT	1 EA	105875-01	105875-01	105875-01	105875-01	105875-01
11A, 11B, 11C	FLAME ROD REPAIR KIT (includes flame rod, gasket and hardware)	105880-01	1 EA	1 EA	1 EA	1 EA	1 EA
12A, 12B, 11c	IGNITION ELECTRODE REPAIR KIT (includes electrode, gasket and hardware)	105881-01	1 EA	1 EA	1 EA	1 EA	1 EA
13	M6 SERRATED FLANGE HEX BURNER DOOR NUT	101724-01	4 EA	4 EA	4 EA	4 EA	4 EA
14, 15	O-RING REPAIR KIT (includes (2) 22mm x 2mm O-rings and (2) connection clips)	105888-01	1 EA	1 EA	1 EA	1 EA	1 EA
14, 15, 16, 24	REPAIR RETURN PIPING ASSEMBLY KIT	107155-01	1 EA	1 EA	1 EA	1 EA	1 EA
17	80 x 60mm FLUE OUTLET ADAPTER	106885-01	1 EA	1 EA			
20	RETURN TEMPERATURE SENSOR REPAIR KIT	105910-01	1 EA	1 EA	1 EA	1 EA	1 EA
21	FLOW SWITCH REPAIR KIT (includes flowswitch with O-ring)	105892-01	1 EA	1 EA	1 EA	1 EA	1 EA
22	SUPPLY TEMPERATURE SENSOR REPAIR KIT	105911-01	1 EA	1 EA	1 EA	1 EA	1 EA
12, 15, 23, 24	REPAIR SUPPLY PIPING ASSEMBLY KIT	107157-01	1 EA	1 EA	1 EA	1 EA	1 EA

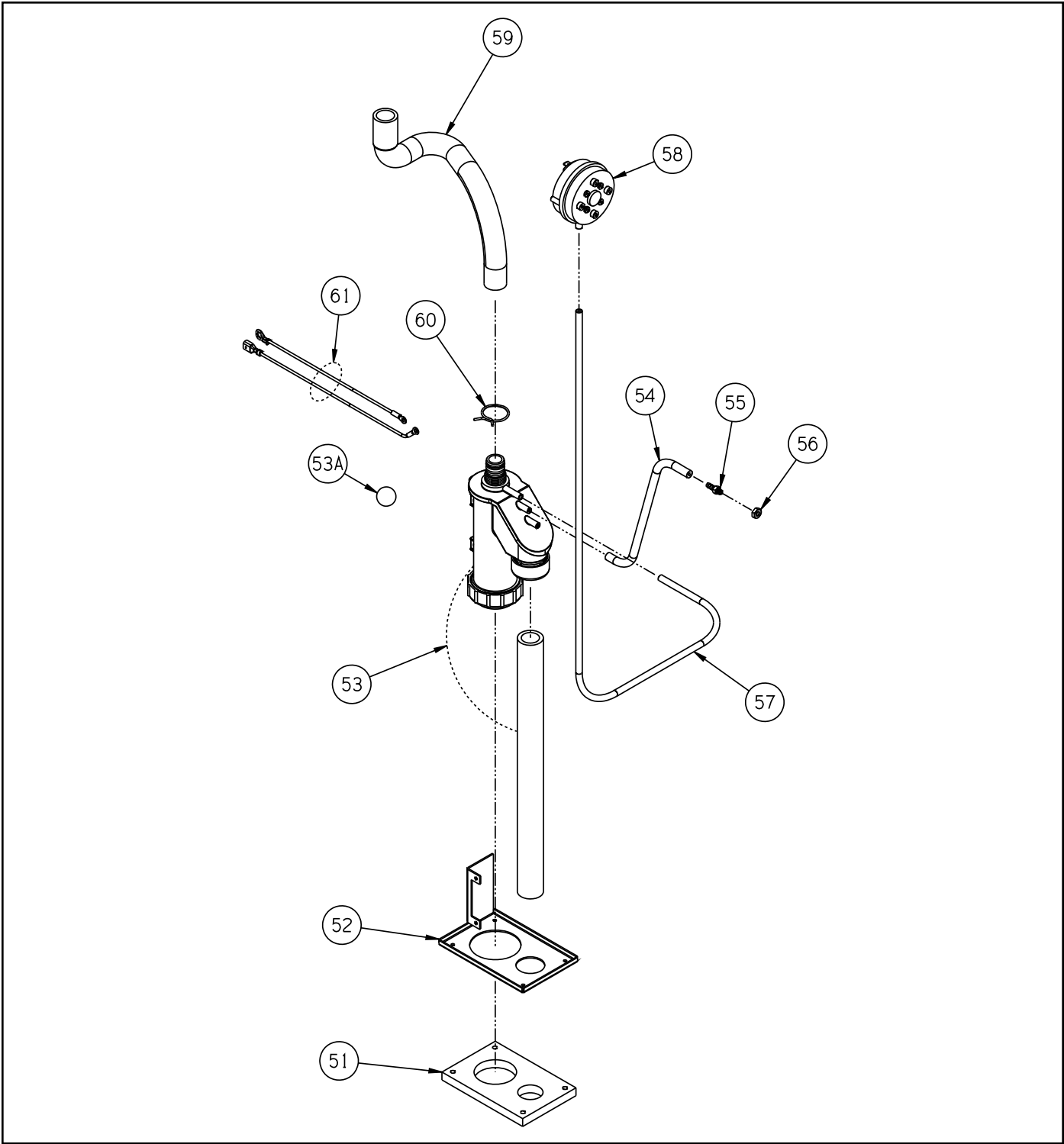


Blower/Gas Valve Assembly for 80, 100, 120

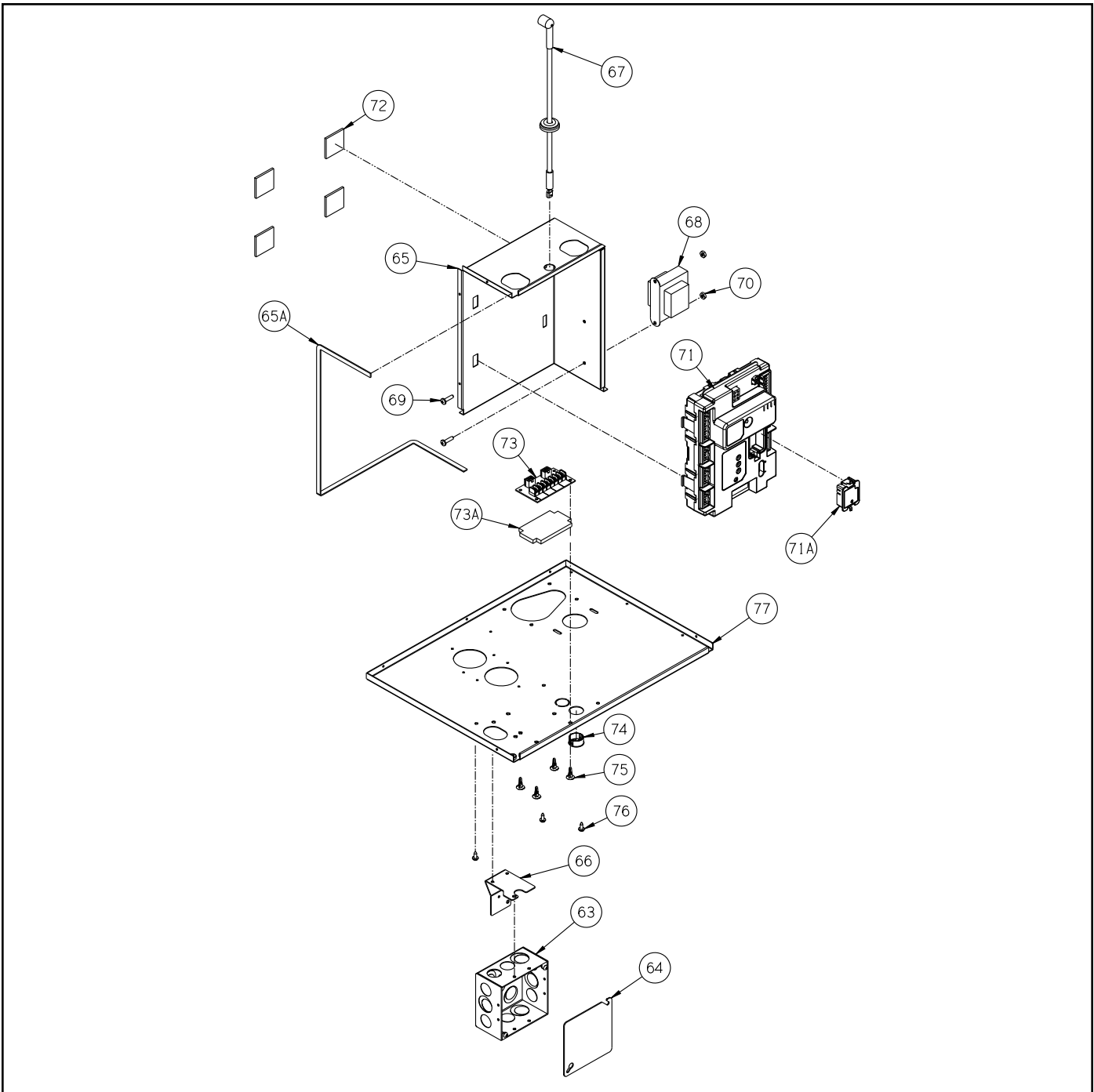
KEY #	DESCRIPTION	QTY. OR PN	QUANTITY OR PART NUMBER				
			80	100	120	150	180
27, 28, 29, 36	BLOWER REPAIR KIT (includes blower, hardware and gasket)	1 EA	105809-01	105809-01	105810-01	105811-01	105811-01
28	BLOWER OUTLET GASKET REPAIR KIT	106029-01	1 EA	1 EA	1 EA	1 EA	1 EA
30	GAS LINE SEAL REPAIR KIT (includes gas line escutcheon plate, gasket and hardware)	107151-01	1 EA	1 EA	1 EA	1 EA	1 EA
32	AIR PROVING PRESSURE SWITCH REPAIR KIT	105849-01	1 EA	1 EA	1 EA	1 EA	1 EA
33, 54, 57, 59, 60	TUBING REPAIR KIT	107156-01	1 EA	1 EA	1 EA	1 EA	1 EA
34A	1/2"NPT X 4" SCH 40 STEEL NIPPLE	OBTAIN LOCALLY	1 EA	1 EA	1 EA		
34B	1/2"NPT X 5" SCH 40 STEEL NIPPLE	OBTAIN LOCALLY				1 EA	1 EA
35	GAS VALVE FLANGE REPAIR KIT	106887-01	1 EA	1 EA	1 EA	1 EA	1 EA
37, 38A, 39A, 40	GAS VALVE REPAIR KIT, 80-120 (includes gas valve, gas orifice, rubber coupling, rectifier module and hardware)	105812-01	1 EA	1 EA	1 EA		
38B, 39B, 43	GAS VALVE REPAIR KIT, 150, 180 (includes gas valve, gas orifice, rubber coupling, rectifier module and hardware)	105813-01				1 EA	1 EA
40	RECTIFIER MODULE, E BOX 2	105829-01	1 EA	1 EA	1 EA		
42	BLOWER INLET SHROUD ASSEMBLY KIT	1 EA				105832-01	105833-01
45	ATTENUATOR ASSEMBLY	105234-01				1 EA	1 EA
46	8-18 X 3/4 SELF DRILLING SCREW	80860716				1 EA	1 EA



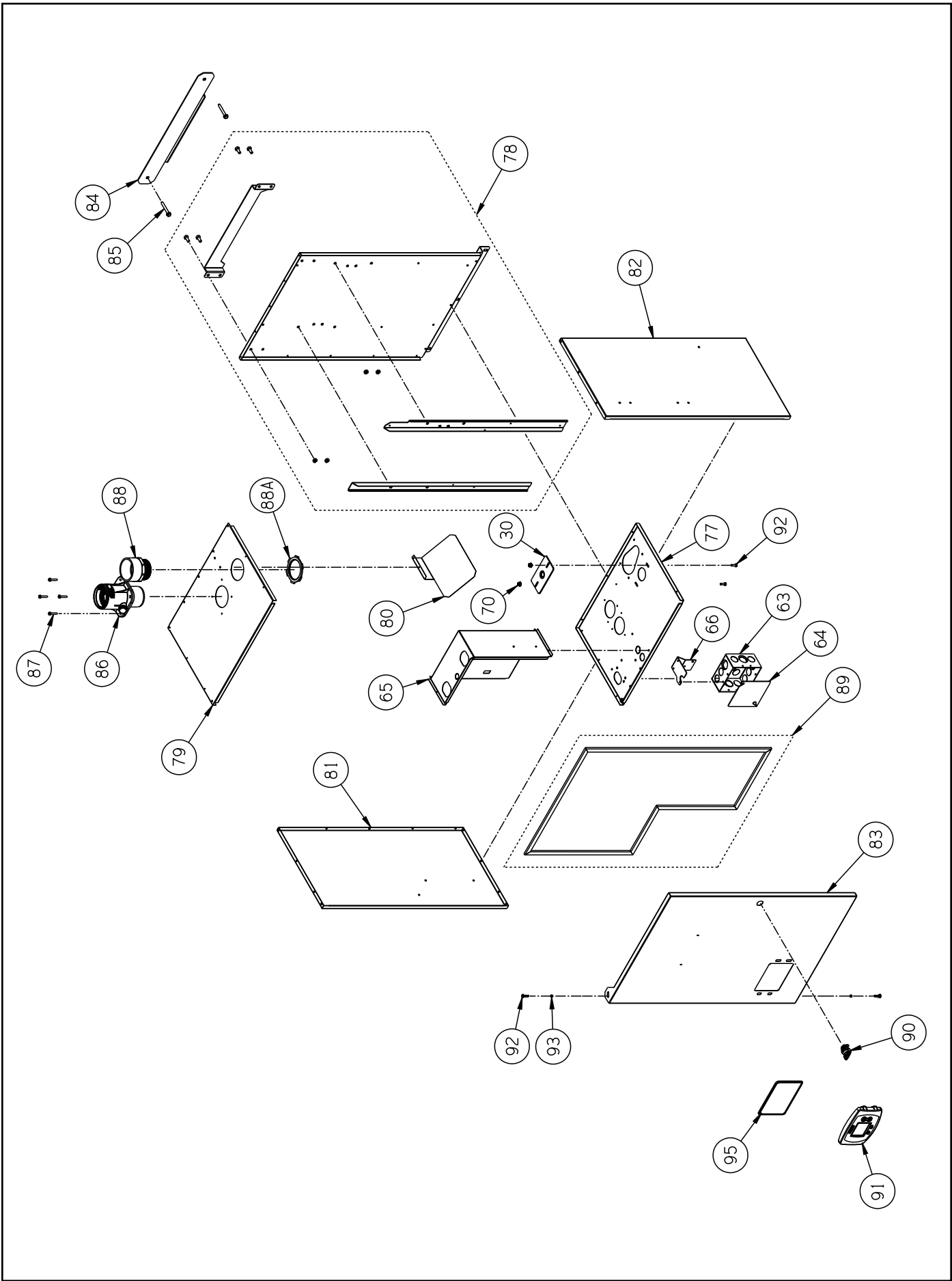
Blower/Gas Valve Assembly for 150, 180



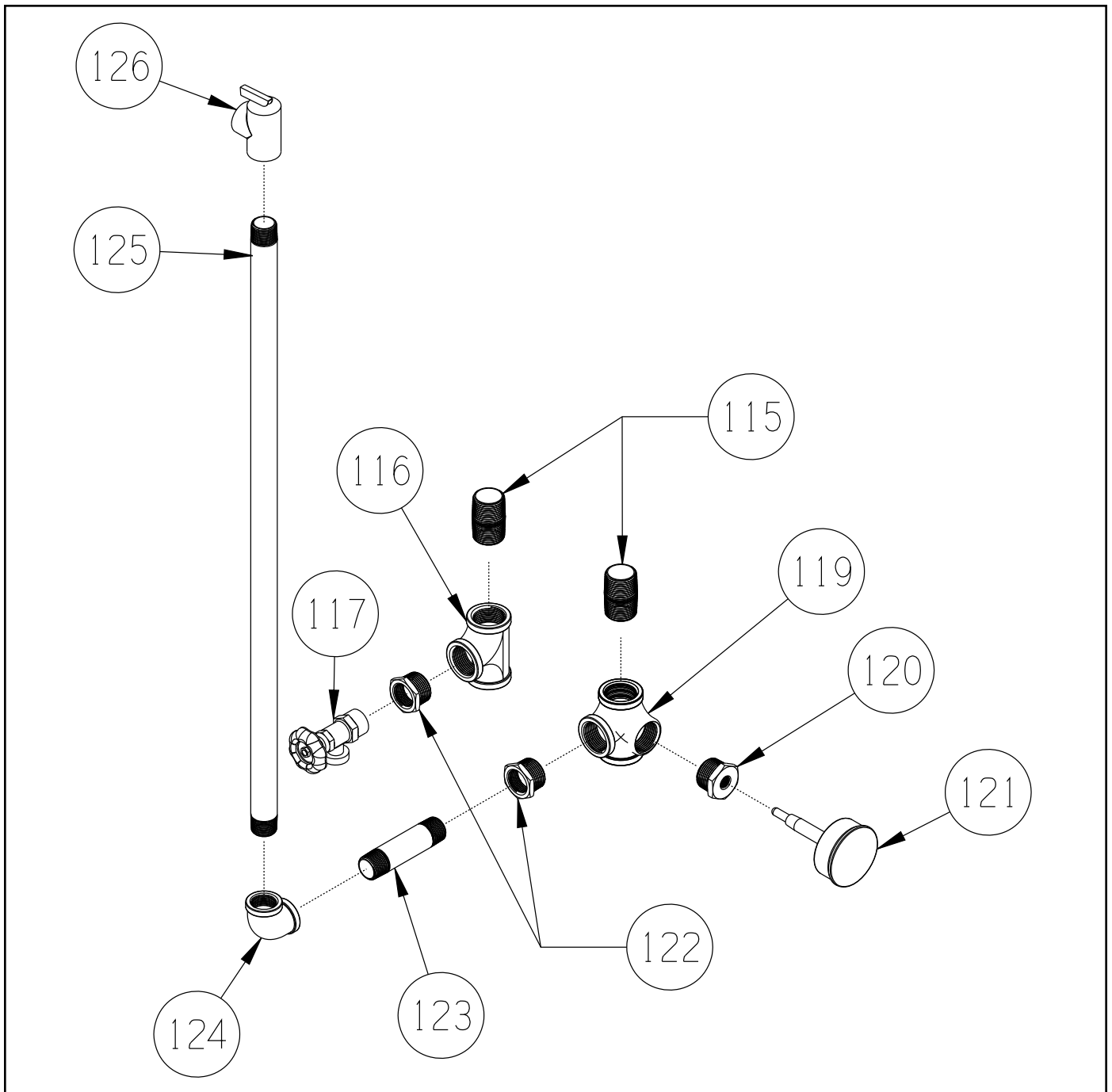
KEY #	DESCRIPTION	QTY. OR PN	QUANTITY OR PART NUMBER				
			80	100	120	150	180
51, 52, 53, 54, 57, 59, 60, 61	CONDENSATE TRAP REPAIR KIT (includes trap, trap ball, bracket, tubing, gasket, trap wires and hardware)	107144-01	1 EA	1 EA	1 EA	1 EA	1 EA
53A	BALL FOR CONDENSATE TRAP REPAIR KIT	105850-01	1 EA	1 EA	1 EA	1 EA	1 EA
55, 56	VENT FITTING REPAIR KIT (includes hose barb and nut)	105859-01	1 EA	1 EA	1 EA	1 EA	1 EA
33, 54, 57, 59, 60	TUBING REPAIR KIT	107156-01	1 EA	1 EA	1 EA	1 EA	1 EA
58	SUMP PRESSURE SWITCH REPAIR KIT	105857-01	1 EA	1 EA	1 EA	1 EA	1 EA
61	TRAP HARNESS KIT	107159-01	1 EA	1 EA	1 EA	1 EA	1 EA



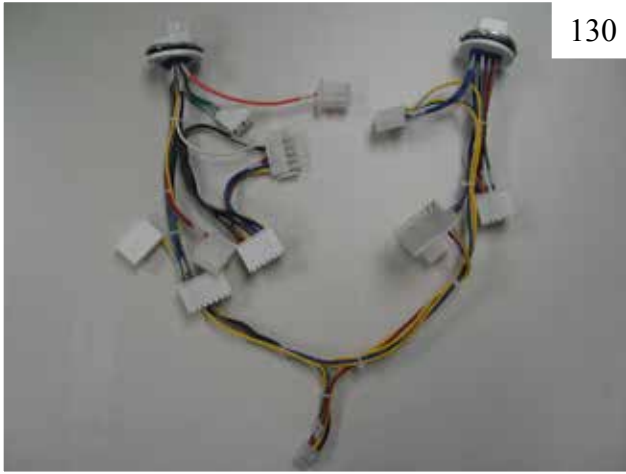
KEY #	DESCRIPTION	QTY. OR PN	QUANTITY OR PART NUMBER				
			80	100	120	150	180
63, 64, 66, 131	JUNCTION BOX ASSY (includes j-box, j-box mounting bracket, line voltage field connection harness and hardware)	107154-01	1 EA	1 EA	1 EA	1 EA	1 EA
65	CONTROL BOX	106723-01	1 EA	1 EA	1 EA	1 EA	1 EA
65A	CONTROL BOX GASKET	106838-01	1 EA	1 EA	1 EA	1 EA	1 EA
67	IGNITION CABLE REPAIR KIT	107152-01	1 EA	1 EA	1 EA	1 EA	1 EA
68	TRANSFORMER REPAIR KIT	106034-01	1 EA	1 EA	1 EA	1 EA	1 EA
71	REPLACEMENT CONTROL KIT, X-C	107093-01	1 EA	1 EA	1 EA	1 EA	1 EA
71A	PIM KIT	1 EA	107165-01	107165-02	107165-03	107165-04	107065-05
72	CONTROL GASKET KIT (includes 4 gaskets)	107143-01	4 EA	4 EA	4 EA	4 EA	4 EA
73, 73A, 75	LOW VOLTAGE PRINTED CIRCUIT BOARD REPAIR KIT (includes low voltage pcb and hardware)	107141-01	1 EA	1 EA	1 EA	1 EA	1 EA
77	BOTTOM PANEL	1 EA	106726-01	106726-02	106726-03	106829-01	106829-01



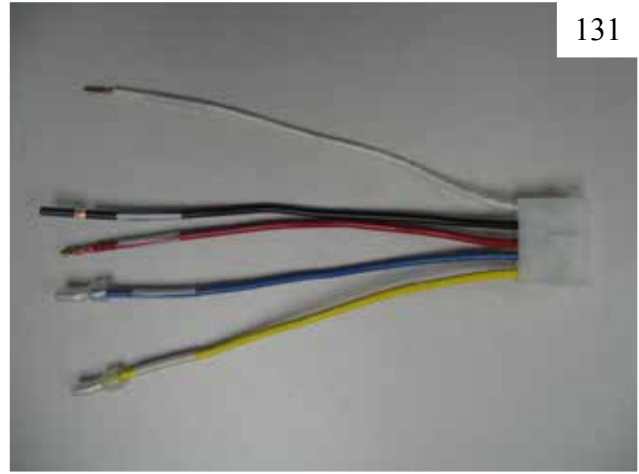
KEY #	DESCRIPTION	QTY. OR PN	QUANTITY OR PART NUMBER				
			80	100	120	150	180
63, 64, 66, 131	JUNCTION BOX ASSY (includes j-box, j-box mounting bracket, line voltage field connection harness and hardware)	107154-01	1 EA	1 EA	1 EA	1 EA	1 EA
65	CONTROL BOX	106723-01	1 EA	1 EA	1 EA	1 EA	1 EA
77	BOTTOM PANEL	1 EA	106726-01	106726-02	106726-03	106829-01	106829-01
78	REAR PANEL ASSEMBLY	1 EA	106733-01	106733-01	106733-01	106836-01	106836-01
79	TOP PANEL REPAIR KIT	1 EA	107158-01	107158-01	107158-02	107158-03	107158-03
80	JACKET DRIP SHIELD, 80-180	106724-01	1 EA	1 EA	1 EA	1 EA	1 EA
81	LEFT SIDE PANEL	1 EA	106849-01	106849-01	106849-01	106849-02	106849-02
82	RIGHT SIDE PANEL	1 EA	106850-01	106850-01	106850-01	106850-02	106850-02
83	DOOR REPAIR KIT	1 EA	107150-01	107150-01	107150-01	107150-02	107150-02
84	HANGING BRACKET, WALL	102869-01	1 EA	1 EA	1 EA	1 EA	1 EA
85	5/16" X 2" LAG SCREW/WASHER	OBTAIN LOCALLY	4 EA	4 EA	4 EA	4 EA	4 EA
6, 17, 86, 87	VENT ADAPTER REPAIR KIT	1 EA	107160-01	107160-01	107161-01	107161-01	107161-01
88	INTAKE REPAIR KIT	1 EA	107153-01	107153-01	105848-01	105848-01	105848-01
89	DOOR GASKET REPAIR KIT	1 EA	107148-01	107148-01	107148-01	107148-02	107148-02
90, 92, 93	DOOR HARDWARE REPAIR KIT	1 EA	107147-01	107147-01	107147-01	107147-01	107147-01
91	DISPLAY REPAIR KIT	1 EA	107146-01	107146-01	107146-01	107146-01	107146-01
95	LOGO PLATE, X-C	103384-24	1 EA	1 EA	1 EA	1 EA	1 EA



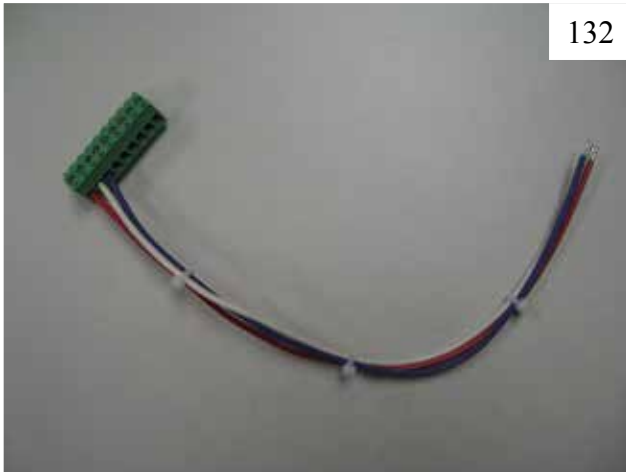
KEY #	DESCRIPTION	QTY. OR PN	QUANTITY OR PART NUMBER				
			80	100	120	150	180
115	1"NPT x 2" NIPPLE	80600004	2 EA	2 EA	2 EA	2 EA	2 EA
116	1" NPT TEE	806601015	1 EA	1 EA	1 EA	1 EA	1 EA
117	3/4" NPT BOILER DRAIN VALVE	806603061	1 EA	1 EA	1 EA	1 EA	1 EA
119	1" NPT TEE WITH SIDE OUTLET	105298-01	1 EA	1 EA	1 EA	1 EA	1 EA
120	1" x 1/4" NPT HEX REDUCING BUSHING	806600529	1 EA	1 EA	1 EA	1 EA	1 EA
121	TEMPERATURE & PRESSURE GAUGE REPAIR KIT	105894-01	1 EA	1 EA	1 EA	1 EA	1 EA
122	1" x 3/4" NPT HEX REDUCING BUSHING	806600501	2 EA	2 EA	2 EA	2 EA	2 EA
123	3/4" NPT X 5-1/2" NIPPLE	107053-01	1 EA	1 EA	1 EA		
	3/4" NPT X 7" NIPPLE	806600195				1 EA	1 EA
124	3/4" NPT 90° ELBOW	806601502	1 EA	1 EA	1 EA	1 EA	1 EA
125	3/4" NPT X 30" NIPPLE	105297-01	1 EA	1 EA	1 EA	1 EA	1 EA
126	30 psi RELIEF VALVE	81660319	1 EA	1 EA	1 EA	1 EA	1 EA



130



131



132



133



134

KEY #	DESCRIPTION	QTY. OR PN	QUANTITY OR PART NUMBER				
			80	100	120	150	180
130	REPAIR KIT, CONTROL BOX HARNESS	107142-01	1 EA	1 EA	1 EA	1 EA	1 EA
131	REPAIR KIT, 120V FIELD CONNECTIONS HARNESS	107139-01	1 EA	1 EA	1 EA	1 EA	1 EA
132	REPAIR KIT, DISPLAY HARNESS	107149-01	1 EA	1 EA	1 EA	1 EA	1 EA
133	REPAIR KIT, INTERIOR AC HARNESS	1 EA	107140-01	107140-01	107140-01	107140-02	107140-02
134	REPAIR KIT, INTERIOR DC HARNESS	107145-01	1 EA	1 EA	1 EA	1 EA	1 EA
*	OUTDOOR TEMPERATURE SENSOR	102946-01	1 EA	1 EA	1 EA	1 EA	1 EA

* NOT SHOWN