

INSTALLATION, OPERATING AND SERVICE INSTRUCTIONS FOR

REVOLUTION™ GAS - FIRED BOILER



As an ENERGY STAR® Partner, Burnham Hydronics has determined that the Revolution Series meets the ENERGY STAR® guidelines for energy efficiency established by the United States Environmental Protection Agency (EPA).

For service or repairs to boiler, call your heating contractor. When seeking information on boiler, provide Boiler Model Number and Serial Number as shown on Rating Label.

Boiler Model Number RV _ _ _ _ - _ _ _	Boiler Serial Number 6 _ _ _ _ _	Installation Date
---	-------------------------------------	-------------------

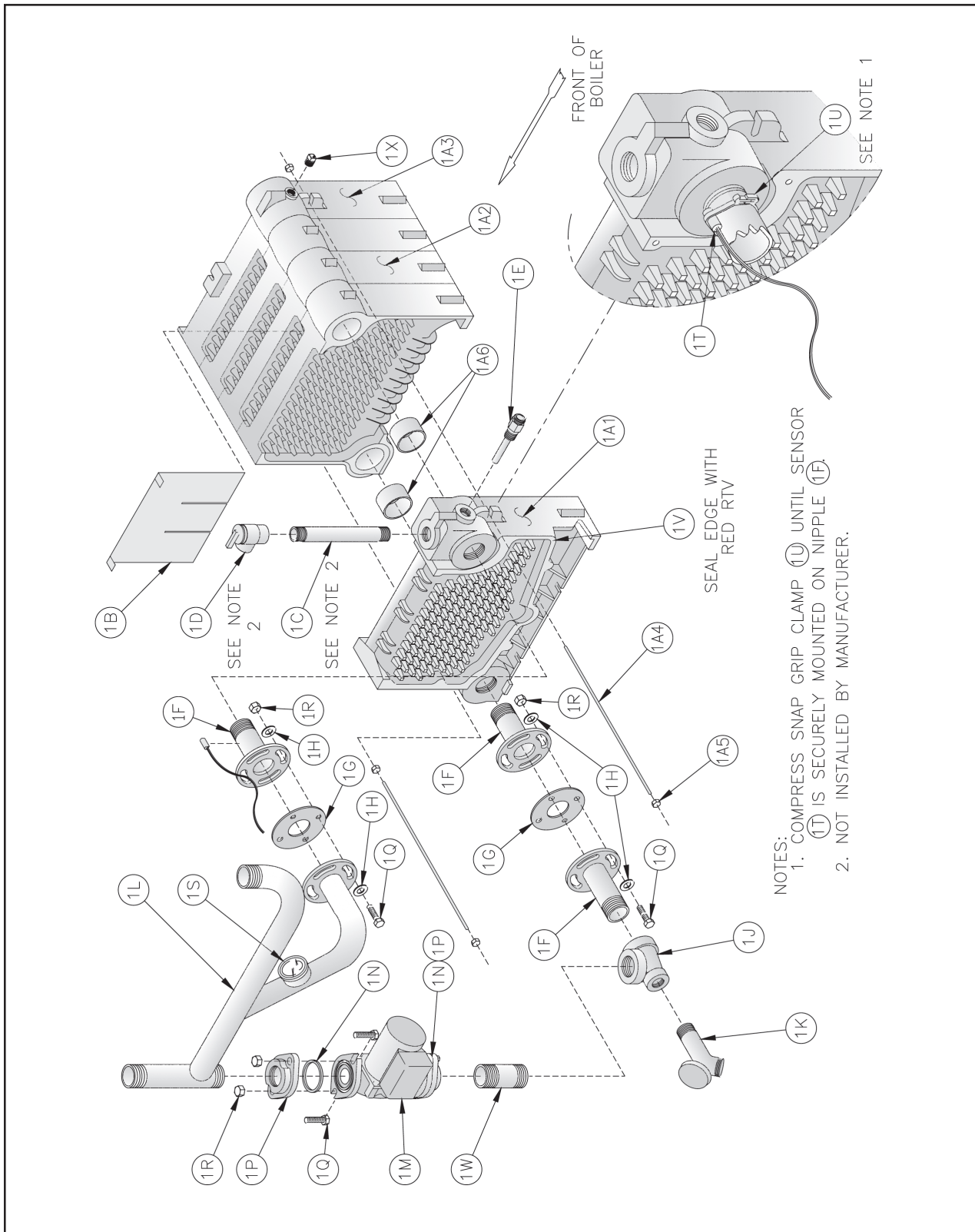
Heating Contractor	Phone Number
--------------------	--------------

Address

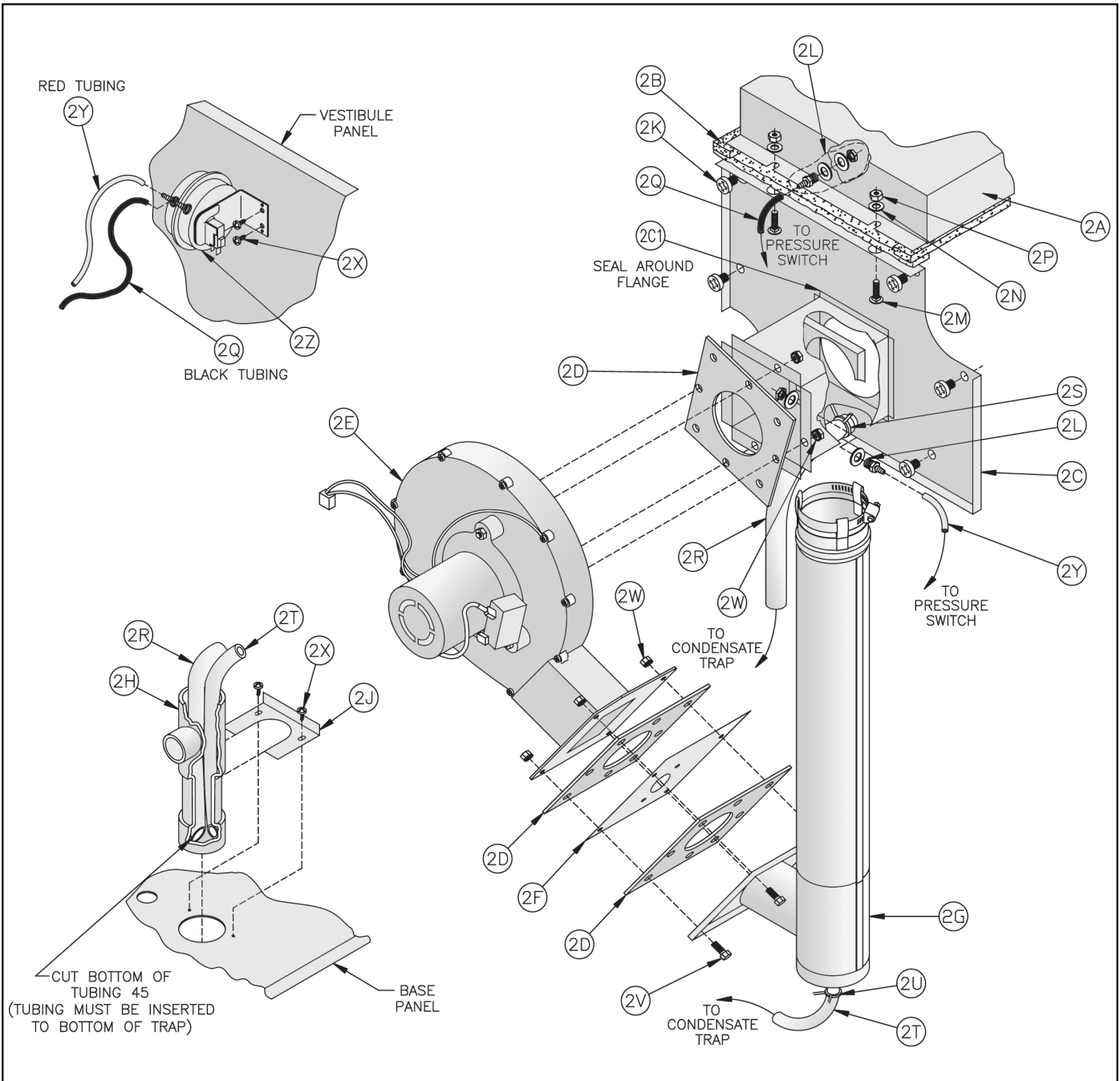


XI. Repair Parts

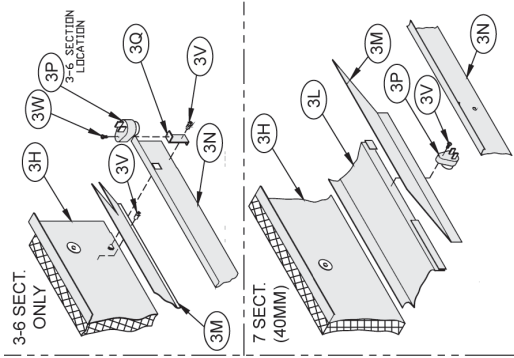
All Revolution™ Series Repair Parts may be obtained through your local Burnham Wholesale distributor. Should you require assistance in locating a Burnham distributor in your area, or have questions regarding the availability of Burnham products or repair parts, please contact Burnham Customer Service at (717) 481-8400 or Fax (717) 481-8408.



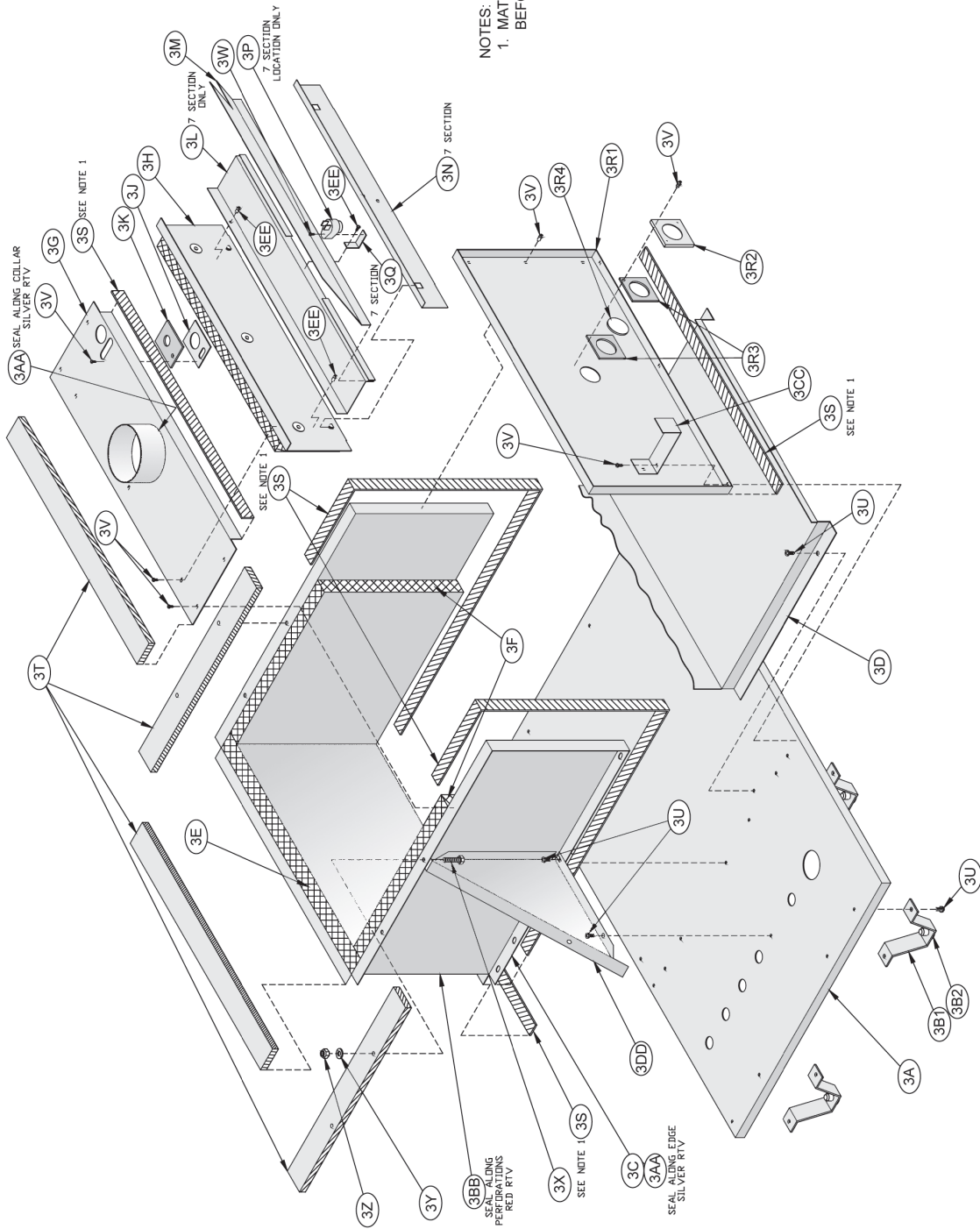
Key No.	Description	[Quantity] Part Number				
		RV-3	RV-4	RV-5	RV-6	RV-7
1. SECTION AND WATER PIPING ASSEMBLY						
1A	Section Assembly, Complete	[1] 6170603	[1] 6170604	[1] 6170605	[1] 6170606	[1] 6170607
1A1	Left End Section	[1] 7170601				
1A2	Center Section	[1] 7171703	[2] 7171703	[3] 7171703	[4] 7171703	[5] 7171703
1A3	Right End Section	[1] 71717021				
1A4	Tie Rod, ¼" - 20	[2] 80861040 (9" Lg)	[2] 80861041 (12½" Lg)	[2] 80861042 (15½" Lg)	[2] 80861043 (19" Lg)	[2] 80861044 (22" Lg)
1A5	Hex Nut, ¼" - 20, Heavy	[4] Common Hardware				
1A6	Slip Nipple, #3	[4] 806600009	[6] 806600009	[8] 806600009	[10] 806600009	[12] 806600009
1B	Flue Gas Baffle	[2] 71106001	[3] 71106001	[4] 71106001	[5] 71106001	[6] 71106001
1C	Nipple, ¾" x 8" Lg.	[1] Common Hardware				
1D	Relief Valve, ¾", ConBraCo 10-408-05	[1] 81660319				
1E	Immersion Well, ½", Honeywell 123869A	[1] 80160456				
1F	Lower Manifold Assembly	[3] 6066045				
1G	Gasket	[2] 8206056				
1H	3/8" Steel Plain Flat Washer	[16] Common Hardware				
1J	Tee, 1¼" x 1¼" x ¾"	[1] 806601109				
1K	Drain Valve, ¾", ConBraCo 31-612-02 w/Teflon Tape	[1] 6066025				
1L	Water Manifold Assembly	[1] 6066044				
1M	Circulator, Taco 007F, Position 4	[1] 8056107				
1N	Gasket, Circulator Flange,Taco '00' Series	[2] 806602006				
1P	Circulator Flange, 1¼"	[2] 806602013				
1Q	Cap Screw, Hex Head, 7/16" - 14 x 1½"	[12] Common Hardware				
1R	Hex Nut, 7/16" - 14	[12] Common Hardware				
1S	Temp/Pressure Gauge, Short Shank	[1] 8056169U				
1T	Tekmar #071 Univ. Fluid Temp. Sensor	[1] 80160218				
1U	Snap Grip Clamp	[1] 80861691				
1V	Silastic Sealant, RTV 6500	[A/R] 9056060				
1W	Nipple, 1¼" x 4"	[1] Common Hardware				
1X	Pipe Plug, ¼" NPT	[1] Common Hardware				



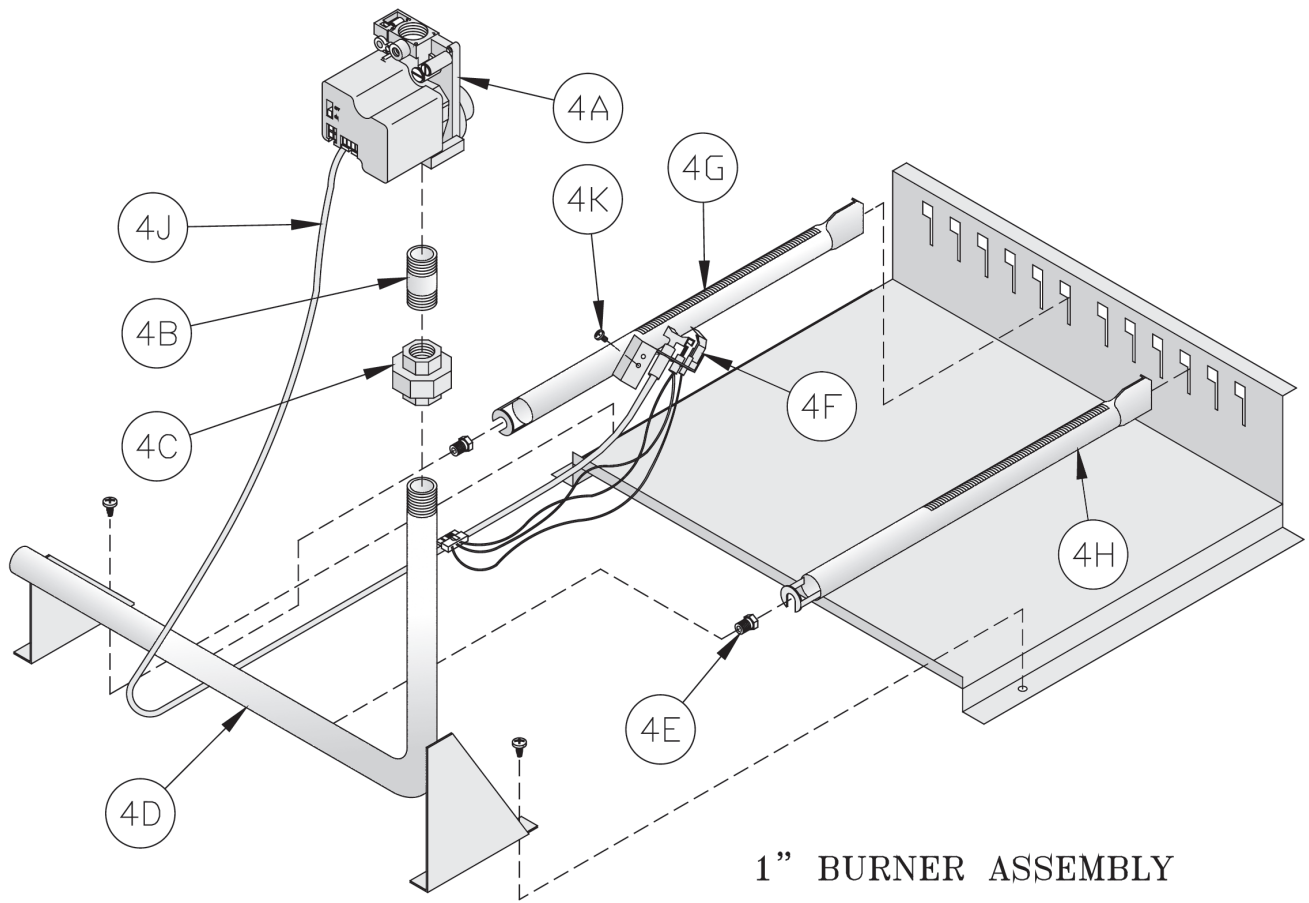
Key No.	Description	[Quantity] Part Number				
		RV-3	RV-4	RV-5	RV-6	RV-7
2. BLOWER OUTLET ORIFICE / VENT CONNECTOR ASSEMBLY						
2A	Canopy Assembly	[1] 6110603	[1] 6110604	[1] 6110605	[1] 6110606	[1] 6110607
2B	Cerafelt, ½ Thick x 1 Wide	[50"] 9206005	[56"] 9206005	[60"] 9206005	[66"] 9206005	[72"] 9206005
2C	Left End Flue Cover Assembly	[1] 61106032	[1] 61106042	[1] 61106052	[1] 61106062	[1] 61106072
2C1	Silastic Sealant, RTV 732, Silver	[A/R] 9056024				
2D	Orifice Plate Gasket, 1/8 Thick	[3] 8206012				
2E	Induced Draft Fan Kit	[1] 6116056 (includes [3] 8206012 gaskets)				
2F	Outlet Orifice Plate	[1] 71106033	[1] 71106043	[1] 71106053	[1] 71106063	N/A
2G	Vent Connector Tee & Extension Assembly	Gasket-Less Vent			[1] 8110601	
		Gasketed Vent			[1] 8110606	
2H	Condensate Trap Assembly	[1] 60606001				
2J	Holding Clip, Condensate Trap	[1] 70906001				
2K	Cap Screw, Hex Head, 5/16-18 x 1/2 Lg.	[6] 80861304				
2L	Pressure Fitting, Dwyer A308	[2] 822657				
2M	Carriage Bolt, ¼-20 x 1 Lg.	[2] 80860115				
2N	Flat Washer, ¼	[8] 80860603				
2P	Hex Nut, ¼-20	[2] 80860407				
2Q	Silicone Tubing, 1/8 I.D., Black	[10"] 7016028				
2R	PVC Tubing, 5/8 I. D. x 7/8 O. D.	[27 ½"] 7056019				
2S	Spring Clamp, Nom. 7/8 Hose	[1] 80861699				
2T	PVC Tubing, 3/8 I. D. x 5/8 O.D.	[10½"] 7056018				
2U	Spring Clamp, Nom. 5/8 Hose	[1] 80861700				
2V	Cap Screw, Hex Head, ¼-20 x 5/8 Lg.	[4] 80861312				
2W	Hex Nut with Lockwasher, ¼-20 K-Locknut	[8] 80860479				
2X	Sheet Metal Screw, #8 x ½ Lg.	[4] 80860000				
2Y	Silicone Tubing, 1/8 I. D., Red	[18"] 7016027				
2Z	Differential Pressure Switch	See Key No. 6G				



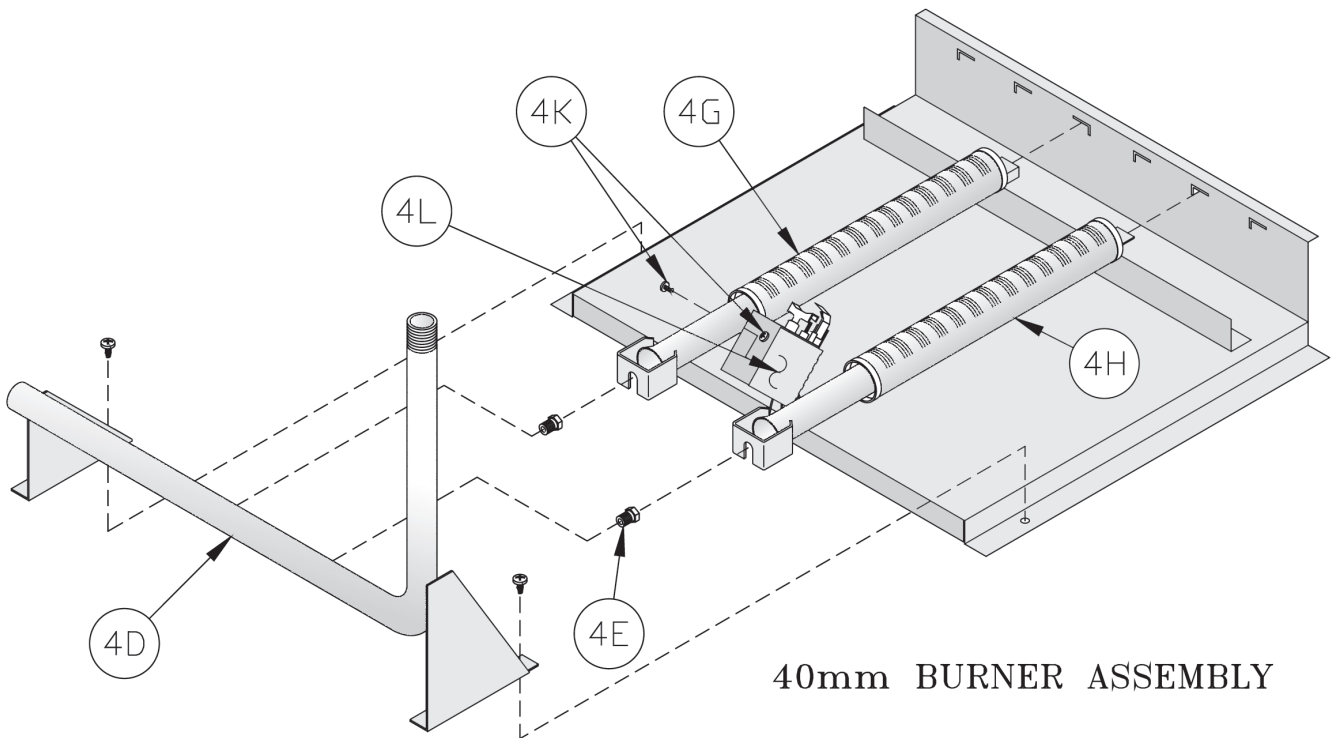
NOTES:
 1. MATERIAL TO BE FREE OF OIL AND DIRT BEFORE APPLYING FIBERGLASS TAPE.



Key No.	Description	[Quantity] Part Number				
		RV-3	RV-4	RV-5	RV-6	RV-7
3. BASE ENCLOSURE ASSEMBLY						
3A	Base Tray	[1] 71806032	[1] 71806042	[1] 71806052	[1] 71806062	[1] 71806072
3B	Base Leg Assembly	[6] 6186001				
3B1	Base Leg	[6] 71860021				
3B2	Nylon Glide	[6] 8186006				
3C	Base Wrapper	[1] 71806033	[1] 71806043	[1] 71806053	[1] 71806063	[1] 71806073
3D	Burner Tray (1 Inch Main Burners)	[1] 718600305	[1] 718600405	[1] 718600505	[1] 718600605	[1] 718600705
	Burner Tray (40mm Main Burners)	[1] 71806037	[1] 71806047	[1] 71806057	[1] 71806067	[1] 61806074
3E	Base Rear Insulation	[1] 72060035	[1] 72060045	[1] 72060055	[1] 72060065	[1] 72060075
3F	Base Side Insulation	[2] 720601				
3G	Enclosure Top Panel Assembly	[1] 61806032	[1] 61806042	[1] 61806052	[1] 61806062	[1] 61806072
3H	Base Front Panel Assembly	[1] 61806031	[1] 61806041	[1] 61806051	[1] 61806061	[1] 61806071
3J	Backing Plate, Manifold Seal	[1] 71806002				
3K	Gasket, Manifold Seal	[1] 8200601			[1] 8200602	
3L	Combustion Air Diffuser - Support	----			[1] 71806001	
3M	Combustion Air Diffuser	[1] 71806036	[1] 71806046	[1] 71806056	[1] 71806066	[1] 71806076
3N	Burner Access Panel	[1] 72106031	[1] 72106041	[1] 72106051	[1] 72106061	[1] 72106071
3P	Flame Roll-Out Switch	[1] 80160044				
3Q	Flame Roll-Out Switch Mounting Bracket 1"	[1] 7186018				[1] 71806005
3Q	Flame Roll-Out Switch Mounting Bracket 40mm					----
3R	Enclosure Front Panel Assembly	[1] 61806033	[1] 61806043	[1] 61806053	[1] 61806063	[1] 61806073
3R1	Enclosure Front Panel	[1] 71806034	[1] 71806044	[1] 71806054	[1] 71806064	[1] 71806074
3R2	Observation Port Lens Retainer	[1] 7186019				
3R3	Observation Port Lens Gasket	[2] 8206039				
3R4	Observation Port Lens	[1] 8026082				
3S	Fiberglass Tape Gasket, 1/8" x 1/2"	[112"] 9206075	[122"] 9206075	[132"] 9206075	[142"] 9206075	[152"] 9206075
3T	Ceramic Fiber Gasket, 1/2" x 2"	[56"] 72017071	[62"] 72017071	[70"] 72017071	[76"] 72017071	[82"] 72017071
3U	Self Tapping Screw, 1/4"-20 x 1/2"	[25] 80860700				
3V	Sheet Metal Screw, #8 x 1/2"	[24] 80860000				
3W	Sheet Metal Screw, #8 x 3/4"	[3] 80860030				
3X	Self Tapping Screw, 5/16"-18 x 1/4"	[4] 80860717				
3Y	Washer, 5/16" Flat	[4] 80860601				
3Z	Lock Nut, 5/16"-18	[4] 80860464				
3AA	Silastic Sealant, RTV732, Silver	[A/R] 9056024				
3BB	Silastic Sealant, RTV6500, Red	[A/R] 9056060				
3CC	Jacket Lower Support Bar	[1] 70406001				
3DD	Base Tray Support	[1] 71806006				
3EE	Sheet Metal Screw, #10 - 1/2" TRS Head	[3] 80860005				

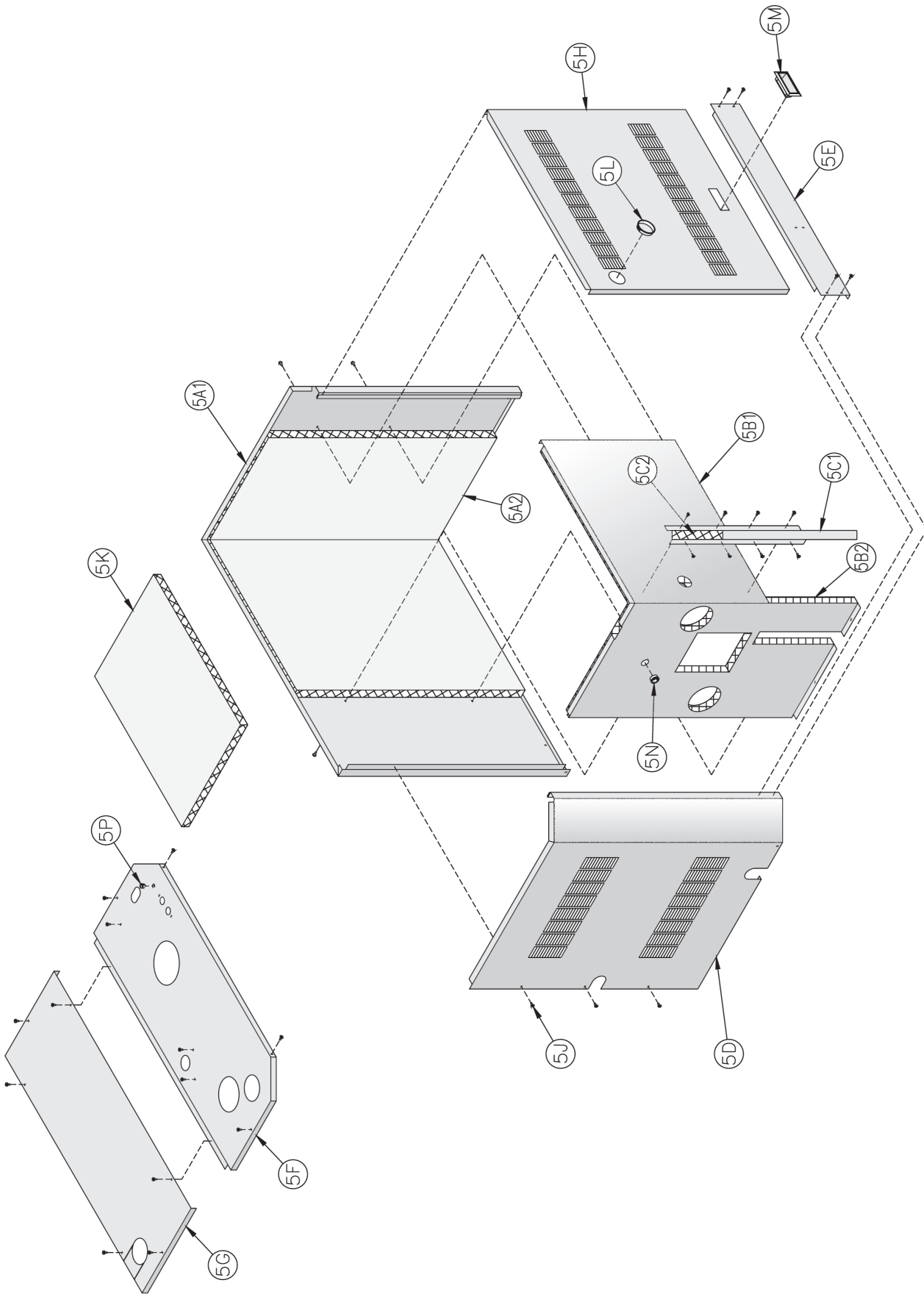


1" BURNER ASSEMBLY

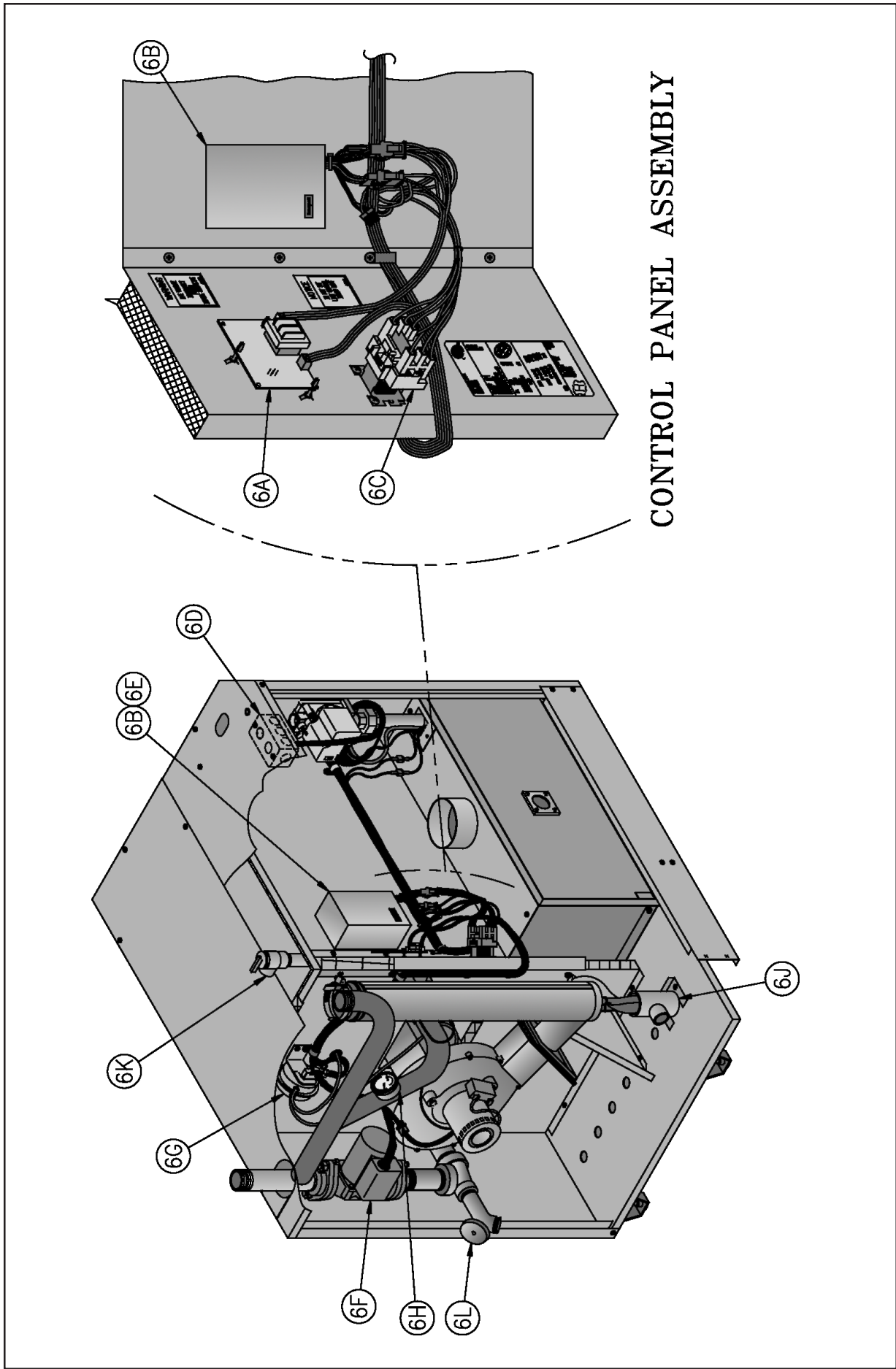


40mm BURNER ASSEMBLY

Key No.	Description	[Quantity] Part Number				
		RV-3	RV-4	RV-5	RV-6	RV-7
4. BURNER ASSEMBLIES						
4A	Gas Valve / 1" Burner (Natural Gas) Honeywell SV9502P2101	81660222			----	
	Gas Valve / 1" Burner (Natural Gas) Honeywell SV9602P4105	----			81660223	
	Gas Valve / 1" or 40mm Burner (LP Gas) Honeywell SV9502P2135	81660245			----	
	Gas Valve / 1" or 40mm Burner (LP Gas) Honeywell SV9602P4139	----			81660246	
	Gas Valve / 40mm Burner (Natural Gas) Honeywell SV9502P2127	81660231			----	
	Gas Valve / 40mm Burner (Natural Gas) Honeywell SV9602P4121	----			81660232	
4B	Nipple, ½" x 3" Lg.	806600047			----	
	Nipple, ¾" x 3" Lg.	----			806600002	
4C	Union, ½"	806604023			----	
	Union, ¾"	----			806604001	
4D	½" Gas Manifold (1" Burner Assembly)	82260036	82260046	82260056	----	----
	¾" Gas Manifold (1" Burner Assembly)	----	----	----	82260066	82260076
	½" Gas Manifold (40mm Burner Assembly)	82260037	82260047	82260057	----	----
	¾" Gas Manifold (40mm Burner Assembly)	----	----	----	82260067	82260077
4E	Main Burner Orifices (1" Burner)					
	#44 - Orange (Natural Gas)	[3] 822712	----	----	----	----
	#45 - Pink (Natural Gas)	----	[5] 822711	[7] 822711	[9] 822711	----
	#48 - (Natural Gas)	----	----	----	----	[12] 822726
	#55 - Green (LP Gas)	[3] 822708	[5] 822708	----	----	----
	1.25mm - Purple (LP Gas)	----	----	[7] 822705	[9] 822705	----
	3/64 - Blue (LP Gas)	----	----	----	----	[12] 822704
4E	Main Burner Orifices (40mm Burner) High Altitude (2,000 ft. - 5,000 ft.)					
	#42 (Natural Gas)	[2] 822730	----	----	----	[6] 822730
	#41 (Natural Gas)	----	[3] 822729	[4] 822729	[5] 822729	----
	#53 (LP Gas)	[2] 822722	[3] 822722	[4] 822722	[5] 822722	[6] 822722
4F	Pilot Assembly (Nat. Gas) Honeywell Q3480C1304	8236147				
	Pilot Assembly (LP Gas) Honeywell Q3480C1460	8236148				
4G	1" Burner w/Bracket	8236098				
	40mm Burner w/Bracket	8236136				
4H	1" Burner	[2] 8236099	[4] 8236099	[6] 8236099	[8] 8236099	[11] 8236099
	40mm Burner	[1] 8236135	[2] 8236135	[3] 8236135	[4] 8236135	[5] 8236135
4J	Pilot Tubing, Aluminum, ¼ x 30" Lg.	8236122			----	
	Pilot Tubing, Aluminum, ¼ x 36" Lg.	----			8236132	
4K	Machine Screw, #10-32 x 3/16" Lg./ 1" Burner	80860874				
	Machine Screw, #10-32 x 3/16" Lg./ 40mm Burner	[2] 80860874				
4L	Pilot Enclosure (40mm Burner)	7230601				



Key No.	Description	[Quantity] Part Number				
		RV-3	RV-4	RV-5	RV-6	RV-7
5. JACKET PARTS						
5	Complete Jacket Assembly (less control panel)	[1] 60406037	[1] 60406047	[1] 60406057	[1] 60406067	[1] 60406077
5A	Jacket Rear / Right Side Panel Assembly	[1] 60406035	[1] 60406045	[1] 60406055	[1] 60406065	[1] 60406075
5B	Jacket Vestibule Panel Assembly	[1] 60406036	[1] 60406046	[1] 60406056	[1] 60406066	[1] 60406076
5C	Control Panel Assembly	[1] 60406003				
5D	Jacket Left Side Panel	[1] 60406002				
5E	Jacket Lower Front Tie Bar	[1] 70406031	[1] 70406041	[1] 70406051	[1] 70406061	[1] 70406071
5F	Jacket Front Top Panel	[1] 70406033	[1] 70406043	[1] 70406053	[1] 70406063	[1] 70406073
5G	Jacket Rear Top Panel	[1] 70406034	[1] 70406044	[1] 70406055	[1] 70406064	[1] 70406074
5H	Jacket Front Removable Door	[1] 70406032	[1] 70406042	[1] 70406052	[1] 70406062	[1] 70406072
5J	Sheet Metal Screw, #8 x ½" Lg.	[38] 80860000				
5K	Insulation, Loose Top	[1] 72006033	[1] 72006043	[1] 72006053	[1] 72006063	[1] 72006073
5L	Snap Bushing, Heyco SB-2000-26	[1] 8136266				
5M	Snap-In Handle, Recessed, CT-345-01	[1] 8056184				
5N	Open/Close Bushing, Heyco #OCB-875	[1] 8136066				
5P	Snap-Bushing, Heyco SB-437-5	[1] 8136048				



CONTROL PANEL ASSEMBLY

Key No.	Description	[Quantity] Part Number				
		RV-3	RV-4	RV-5	RV-6	RV-7
6. MISCELLANEOUS TRIM AND CONTROLS						
6A	Boiler Circulator Control, Burnham VS3000 (Includes Key No. 1T, 071 Sensor)	[1] 8010601				
6B	Aquastat, Honeywell L8148E1299, with harness	[1] 61306001				
6C	Blower Relay, Honeywell R8222U1006	[1] 80160096U				
6D	Junction Box, 4" x 2-1/8"	[1] 8136232				
6E	Immersion Well, 1/2" NPT Honeywell 123869A	[1] 80160456				
6F	Boiler Circulator, Taco 007F (Pos. 4)	[1] 8056107				
6G	Differential Pressure Switch					
	Tridelta FS6135A-2043 (Sea Level - 2000 Ft.)	[1] 80160168	----	----	----	----
	Tridelta FS6135A-2046 (Above 2000 Ft. Elevation)	[1] 80160171	----	----	----	----
	Tridelta FS6135A-2045 (Sea Level - 2000 Ft.)	----	[1] 80160170	----	----	----
	Tridelta FS6135A-2254 (Above 2000 Ft. Elevation)	----	[1] 80160200	----	----	----
	Tridelta FS6135A-2252 (Sea Level - 2000 Ft.)	----	----	[1] 80160198	----	----
	Tridelta FS6135A-2047 (Above 2000 Ft. Elevation)	----	----	[1] 80160266	----	----
	Tridelta FS6135A-2251 (1" Burners) (Sea Level - 2000 Ft.)	----	----	----	----	[1] 80160197
	Tridelta FS6135A-2960 (1" Burners) (Above 2000 Ft. Elevation)	----	----	----	----	[1] 80160267
	Tridelta FS6135A-2254 (40mm Burners) (Sea Level - 2000 Ft.)	----	----	----	----	[1] 80160200
Tridelta FS6135A-2961 (40mm Burners) (Above 2000 Ft. Elevation)	----	----	----	----	[1] 80160268	
6H	Temperature/Pressure Gauge, 1/4" NPT	[1] 8056169				
6J	Condensate Trap Assembly	[1] 60606001				
6K	Pressure Relief Valve, 30 PSI, 3/4" NPT, ConBraCo 10-408-05	[1] 81660319				
6L	Drain Valve, 3/4" NPT	[1] 806603012				

Key No.	Description	[Quantity] Part Number				
		RV-3	RV-4	RV-5	RV-6	RV-7
7. MISCELLANEOUS PARTS VENT CARTON (includes items below)		[1] 6050605		[1] 6050606		
7A	Air Intake Assembly, 3" or 4" Dia.	[1] 6116045		[1] 6116044		
7B	Holding Clip, Condensate Trap	[1] 70906001				
7C	Sheet Metal Screw, #8 x 1/2"	[2] 80860000				
7D	Nipple, 3/4" x 8"	[1] 806600221				
7E	Relief Valve, 3/4"	[1] 81660319				
7F	Vent Terminal, Angle Cut Straight - Through	[1] 8116308				
7G	Condensate Trap Assembly	[1] 60606001				

