

Installation, Operating and Service Instructions for

ALTA

- Combi Boiler/Water Heater
- Condensing
- Direct Vent
- Gas Fired

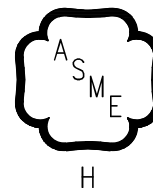
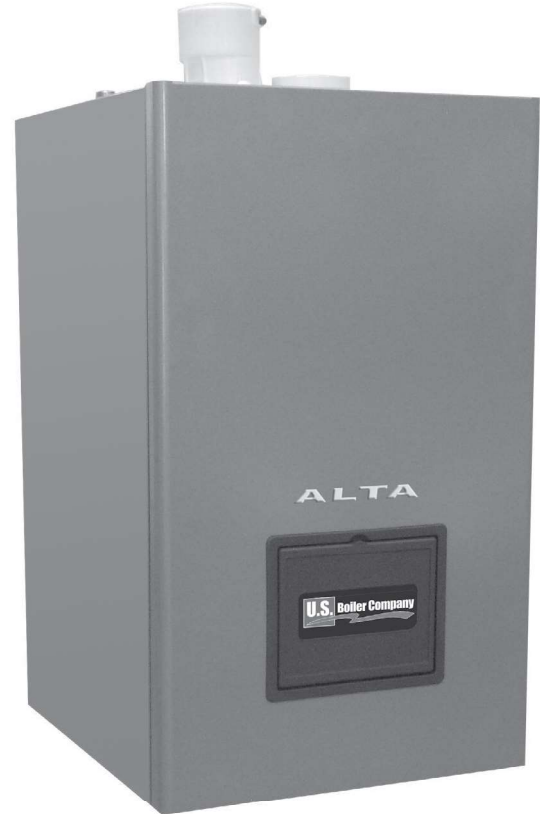
Models:

- ALTAC-136
- ALTAC-136B
- ALTAC-200

<u>Manual Contents</u>	<u>Page</u>
1. Installer Read Before Proceeding	3
2. Homeowner Read Before Proceeding	4
3. Specifications	5
4. How It Works	8
5. Locating Boiler	10
6. Preparing Boiler	14
7. General Venting	17
8. Sidewall Direct Venting	24
9. Vertical Direct Venting	30
10. Heating System Piping	36
11. Domestic Water Piping	39
12. Gas Piping	42
13. Field Wiring	43
14. Condensate Disposal	47
15. Start-up and Checkout	48
16. Operation	55
17. Before Leaving Jobsite	67
18. Service and Maintenance	68
19. Troubleshooting	73
20. Internal Wiring Diagrams	91
21. Service Parts	94
22. Accessories	100

Appendix

- A. Combination Refrigeration/Heating System . 101
- B. Water Quality and Boiler Additives 102
- C. Special Requirements In Massachusetts . . . 103
- D. Code Required Text 105



TO THE INSTALLER:

Affix these instructions adjacent to boiler.
Provide model number and serial number when seeking information and support.

TO THE HOMEOWNER:

Retain these instructions for future reference.
Contact heating installer or technician for all issues and support.

Version en Español disponible en el web del fabricante. www.usboiler.net

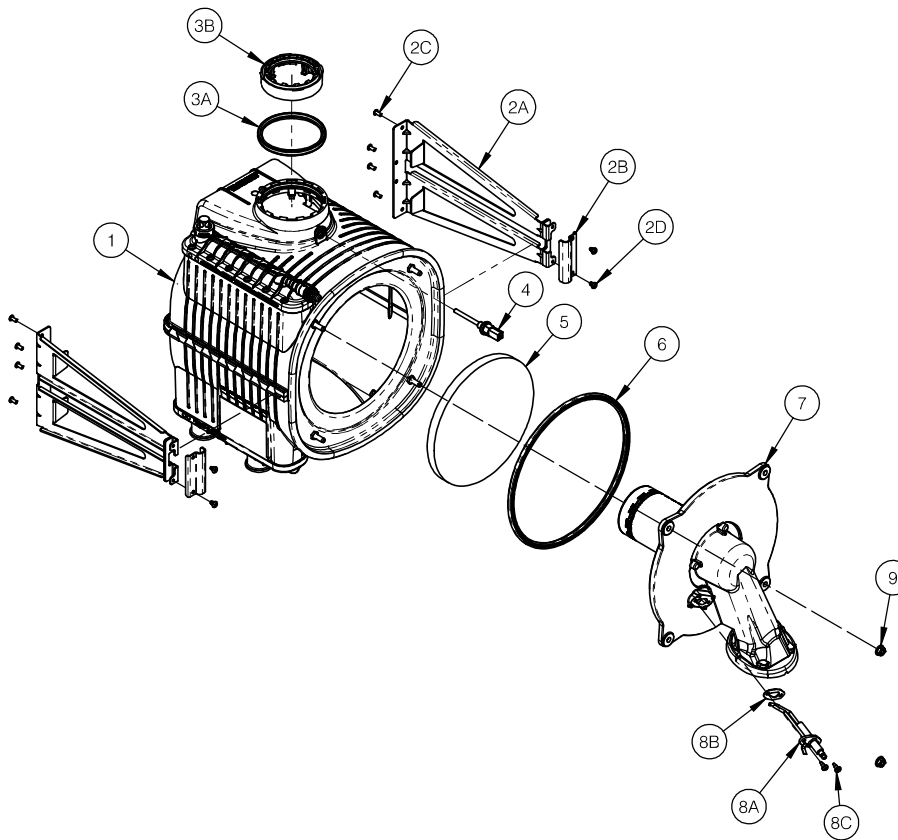


⚠ WARNING

This boiler must only be installed, serviced, or repaired by a qualified installer, service agency or gas supplier. Improper installation, adjustment, alteration, service or maintenance can cause severe personal injury, death, or substantial property damage. For assistance or additional information, consult a qualified installer, service agency, or the gas supplier. Read these instructions carefully before installing.

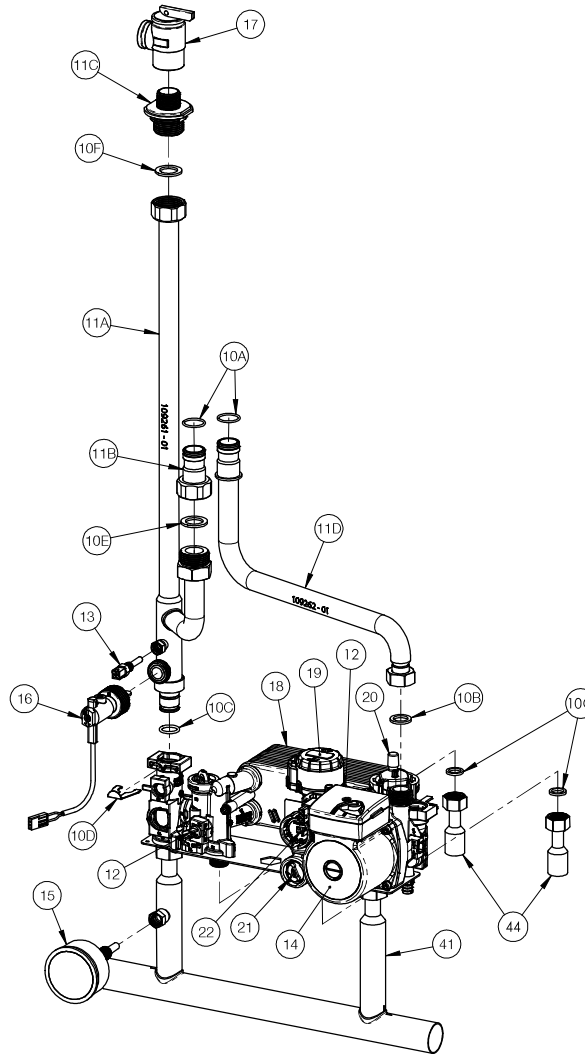
21 Service Parts

All service parts may be obtained through your local U.S. Boiler Company Wholesale distributor. Should you require assistance in locating a U.S. Boiler Company Distributor in your area, or have questions regarding the availability of U.S. Boiler Company products or service parts, please contact us at 1-888-432-8887 or Fax (717) 481-8408 or at www.usboiler.net.



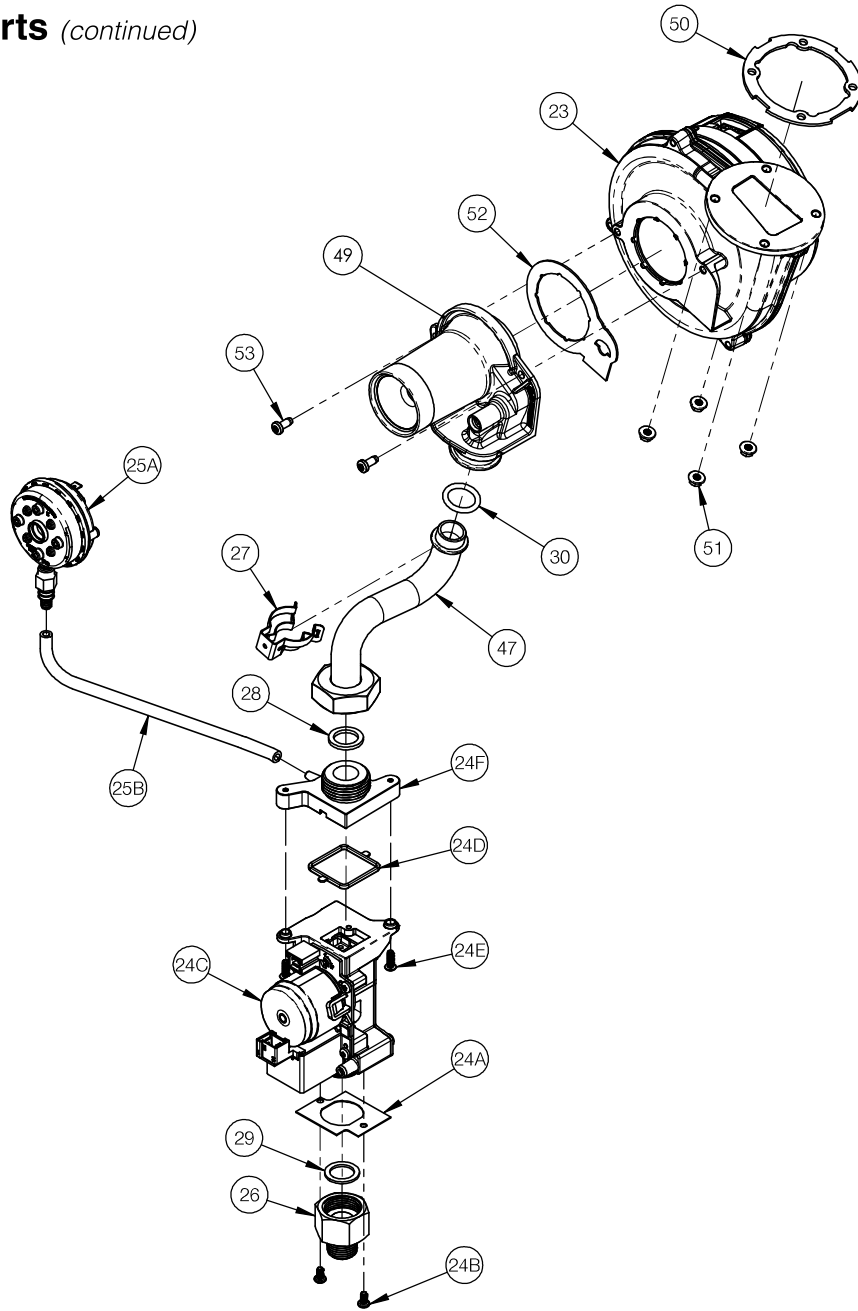
Key No.	Description	Part Number		
		ALTAC-136	ALTAC-136B	ALTAC-200
1	Heat Exchanger	Contact U.S. Boiler Company; Provide boiler serial number		
2A	Fixing Clamp Bracket			
2B	Holding Clamp			
2C	Pop Rivet 5/32 x 3/16 in. (.126-.187 Grip)			
2D	10-32 x 1/2 in. Thread Cutting Screw			
3A	Flue Outlet Gasket	105882-01		
3B	Flue Adapter 3 in. to 2 in.			
4	Flue Temperature Sensor	105883-01		
5	Rear Target Wall Insulation	105651-01		
6	Burner Door Gasket	110880-01		
6, 7	Burner Door Assembly (includes burner ignitor/flame sensor, gasket and hardware)	110575-01	111970-01	111560-01
8A, 8B, 8C	Ignitor/Flame Sensor (includes sensor, gasket and hardware)	111423-01		
8B	Ignitor/Flame Sensor Gasket	106527-01		
9	M6 Serrated Flange Hex Nut	Obtain locally		

21 Service Parts *(continued)*



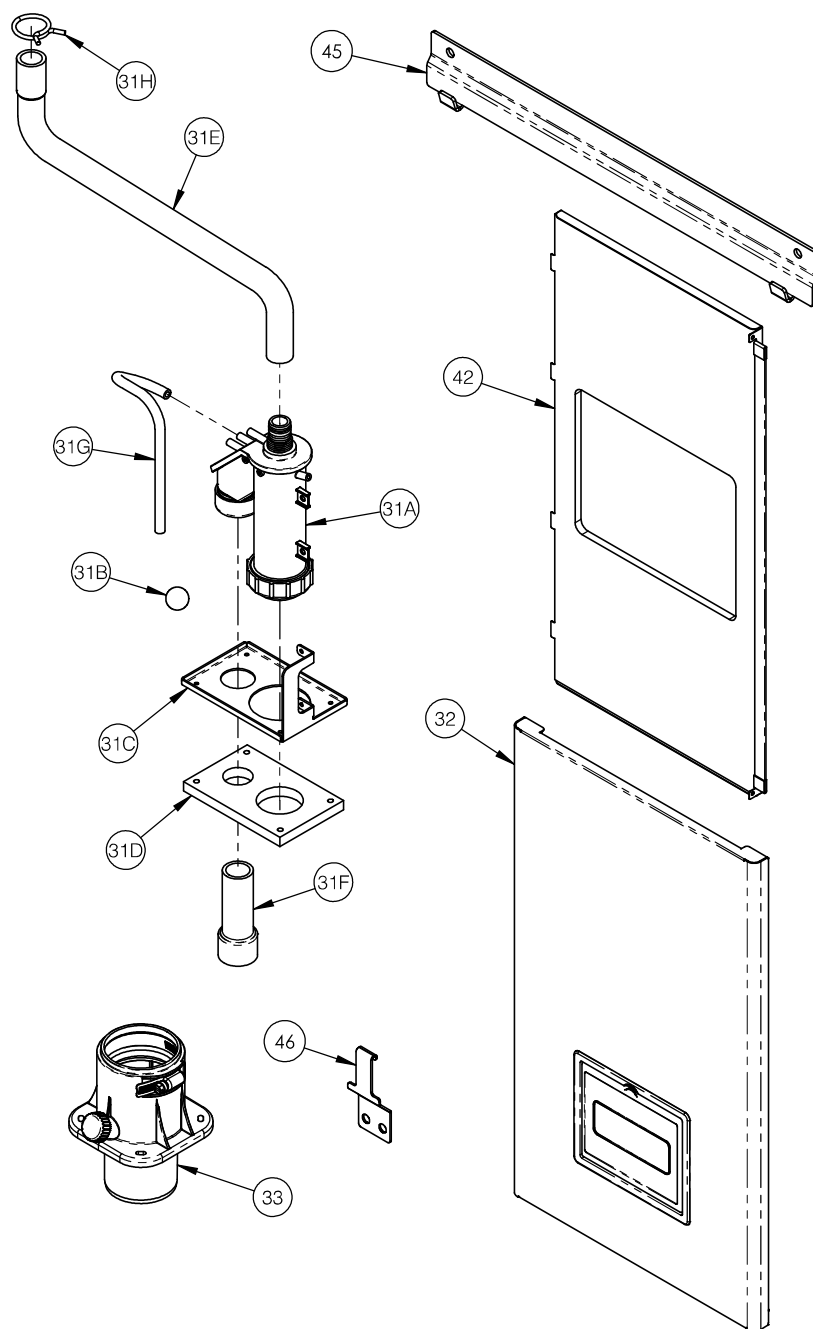
Key No.	Description	Part Number		
		ALTAC-136	ALTAC-136B	ALTAC-200
10A, 10B, 10C, 10D, 10E, 10F, 10G	Water Pipe Gaskets	110577-01		
11A, 11B, 11C, 11D	Water Pipes (w/ gaskets)	110578-01		111563-01
12	DHW	110579-01		
12	Return Temp. Sensor	110579-01		
13	Supply Temp. Sensor	106994-01		
14	Pump	110580-01		
15	T&P Gauge	108215-01		
16	Boiler Flow Switch & O-ring	105892-01		
17	30 psig (207 kPa) Safety Relief Valve	108680-01		
18	Plate Heat Exchanger	110581-01		
19	3 Way Valve	110582-01		
20	Air Vent	110583-01		
21	Flow Restrictor	110584-01		
22	DHW Flow Sensor	110585-01		
41	Low Loss Header	110724-01		
10G, 44	DHW connector (w/ gaskets) G 1/2"-3/4" REDUCER	110878-01 *		
12, 14, 13, 19, 20, 21, 22	DHW Block Assembly	111421-01		

21 Service Parts *(continued)*



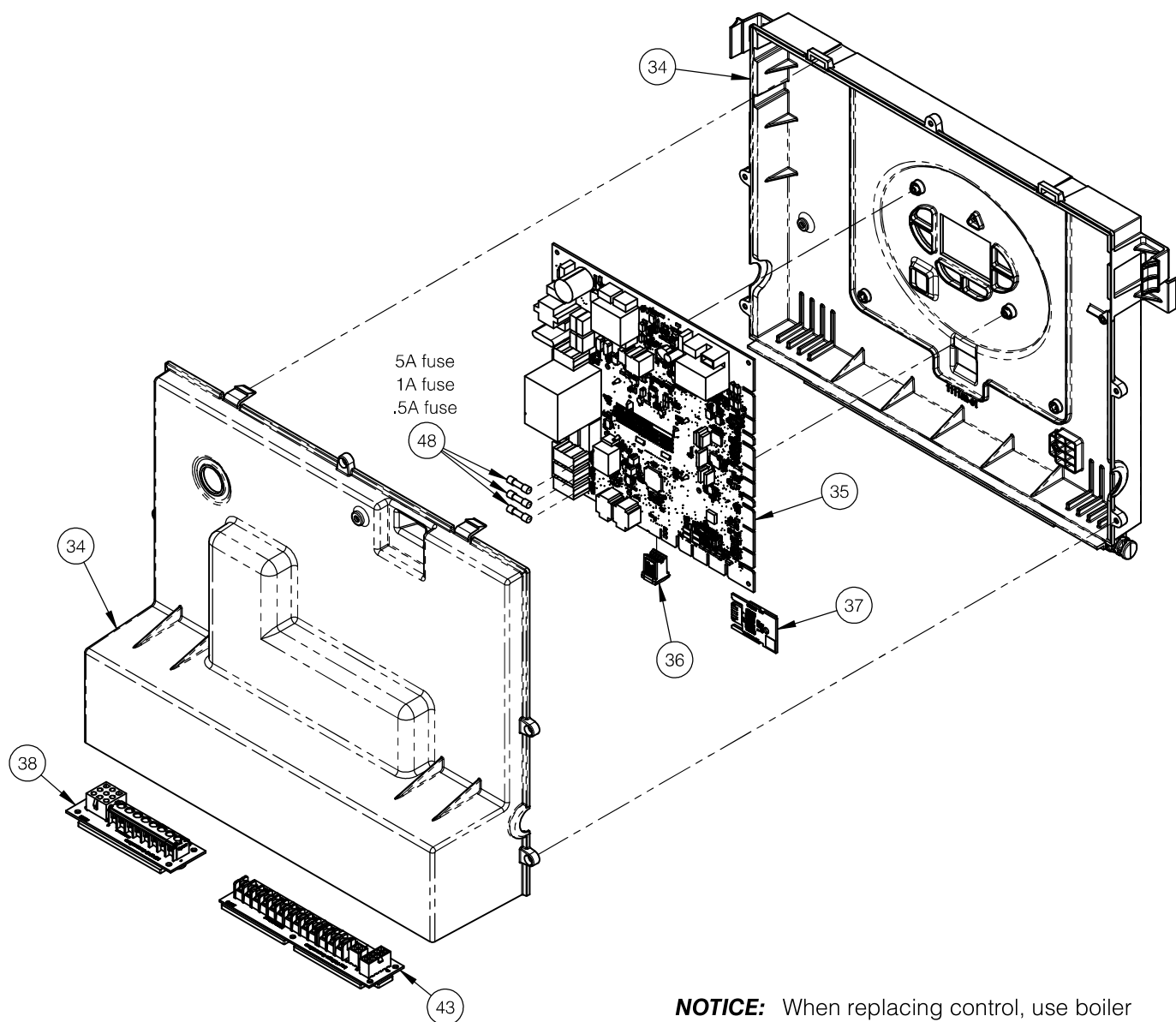
Key No.	Description	Part Number		
		ALTAC-136	ALTAC-136B	ALTAC-200
23, 27, 28, 30, 50, 51, 52, 53	Blower (with gaskets, o-rings, and hardware)	110586-01		111571-01
24A, 24B, 24C, 24D, 24E, 24F, 28, 29	Gas Valve (with gaskets, o-rings, and hardware)	110587-01		111564-01
25A, 25B	Air Proving Switch (tubing- 5/16 in. x 12 in. long.)		107862-01	
26, 27, 28, 29, 30, 47	Gas piping (with gaskets, o-rings, and hardware)		110588-01	
28, 29, 30, 50, 52	Gas pipe gaskets		110879-01	
26, 29	Gas adaptor		111422-01	
27, 28, 29, 30, 49, 50, 51, 52, 53	Venturi		110881-01	

21 Service Parts *(continued)*



Key No.	Description	Part Number		
		ALTAC-136	ALTAC-136B	ALTAC-200
31A, 31B, 31C, 31D, 31E, 31F, 31G, 31H	Condensate Trap	110589-01		
32	Front Door	110595-01		
33	Vent connector	107160-01		
42	Side panel	110725-01	111565-01	
45, 46	Wall brackets	110882-01		
Not shown	Thumb screw	106033-01		

21 Service Parts *(continued)*



NOTICE: When replacing control, use boiler control service part. Boiler control service part is compatible for all models. Factory installed control is only compatible with purchased boiler.

Key No.	Description	Part Number		
		ALTAC-136	ALTAC-136B	ALTAC-200
34	Control Enclosure	111597-01		
35	Boiler Control	111971-01		
36	BCC	Contact U.S. Boiler Company; Provide boiler serial number		
37	Model Key			
38	120 VAC Connection Board	110726-01		
43	Low Voltage Connection Board	110594-01		
48	Fuse, 0.5A, 5 x 20 mm, 250V, Slow Blow	111420-01		
	Fuse, 1.0A, 5 x 20 mm, 250V, Slow Blow			
	Fuse, 5.0A, 5 x 20 mm, 250V, Slow Blow			

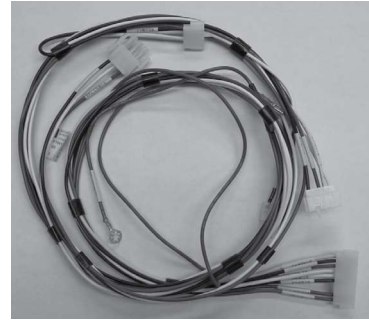
21 Service Parts *(continued)*



39



40A



40B

Key No.	Description	Part Number		
		ALTAC-136	ALTAC-136B	ALTAC-200
39	Ignition Harness	110598-01		
40A	Main Control Harness	110599-01		
40B	Power Harness			

22 Accessories

Key No.	Description	Part Number		
		ALTAC-136	ALTAC-136B	ALTAC-200
Not Shown	2 in. CPVC/PVC Vent Kit Starter	107039-01		
	3 in. CPV/PVC Vent Kit includes vent increaser materials	111945-01		
	Condensate Neutralizer Kit	101867-01		
	Auto Reset LWCO , Hydrolevel 1100 with H5 cable	105591-01		
	Manual Reset LWCO Hydrolevel 1100M with H5 cable	108182-01		
	CSD-1 Kit	108183-01		
	Tempering Valve, 70-145F, ASSE 1017, 3/4 in. sweat	108042-01		
	Fernox Alpha-11 antifreeze with inhibitor (5 gal.)	108862-01		
	Hydronic System Corrosion and Lime scale Inhibitor	108863-01		
	Header Sensor /Recirculation Sensor	108703-01		
	Outdoor Temperature Sensor	108681-01		
	ALTA Basic Service Parts kit, components in tackle box	111419-01		
	ALTA SuperPak service parts kit, with control, blowers, gas valves, combi circulator	111707-01		
	Floor Stand	111576-01		
	Noise Attenuator	N/A		111588-01
	Altitude Conversion Kit (LP installations above 2,000 ft. (610 m))	N/A		111745-01
	USB-Connect Bluetooth Adapter	111667-01		
	Heat Exchanger Cleaning Kit	111705-01		
Heat Exchanger Cleaning Hand Tool	111786-01			